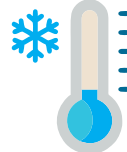


REPLAY FROST



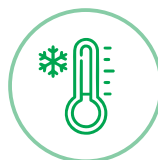
+10°C
↓
-5°C



IDEALE PER INSTALLAZIONI IN AMBIENTI COME:

- CELLE FRIGO
- STOCCAGGIO ALIMENTI
- SUPERMERCATI
- MAGAZZINI

CARATTERISTICHE PRINCIPALI:



Temperatura di funzionamento -5°/+10°C



Ampia gamma da 300 a 1200 lumen



Grado di protezione IP65

REPLAY FROST

Fabbricazione elettronica italiana al 100%

100% Italian electronics manufacturing

Alimentazione 230Vca-50Hz

230Vca-50Hz input Power

Grado di protezione IP65

IP65 protection degree

Grado di resistenza agli urti IK08

IK08 shock resistance degree

Materiale corpo in Bayblend® (PC+ABS) autoestinguente V0

Self-extinguishing (V0) Bayblend® (PC+ABS) body material

Materiale diffusore in policarbonato cristallo autoestinguente V0

Self-extinguishing (V0) crystal polycarbonate reflector material

Temperatura operativa -5°C / +10°C

-5°C / +10°C working temperature

Glow wire test 960°C (2.0mm)

960°C (2.0mm) glow wire test

Tipo di funzionamento S.E. o S.E./S.A.

NOT PERMANENT or PERMANENT functioning

Autonomia 90 o 180 minuti

90 or 180 minutes autonomy

Tempo di ricarica 12 ore

12 hours recharging time

Montaggio a parete o ad incasso tramite WALLBOX 01 (cod.07742)

Wall mounting or recessed wall mounting by WALLBOX 01 (cod.07742)

Batteria Ni-MH ricaricabile, garantita 24 mesi

Rechargeable Ni-MH battery, 24 months warranty

Ricarica della batteria a corrente costante

Battery recharging at constant rated current

Protezione della batteria a scarica completa

Battery protection at full discharging

LED verde spia presenza rete

Green LED power ON

Fonte luminosa LED Alta efficienza

High efficiency LED Light source

Gamma flusso luminoso nominale da 300 a 1200 Lumen

Luminous flux range from 300 to 1200 Lumen

Resa cromatica (CRI) 80

80 colour rendering index

Temperatura colore 5000K

5000K colour temperature

Zero rischio fotobiologico secondo EN62471

Photobiological no-risk according to EN62471

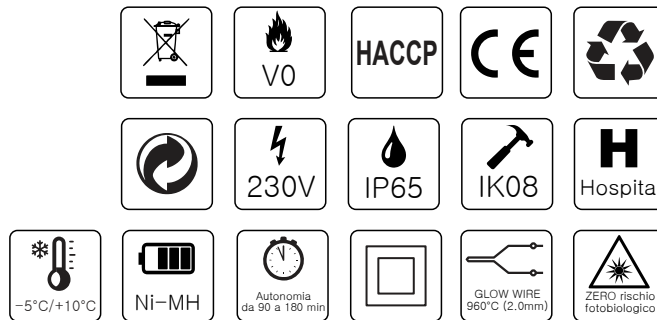
Garanzia sulla fonte luminosa LED di 10 anni

10 years warranty on LED light source

Conforme alle normative vigenti:

Complies with current Standards:

- EN 61547 • EN 1838 • EN 60598-2-22 • EN 62471 • EN 55015, Classe B
- EN 60598-1 • EN 61347-2-7 • EN 62034 (Autotesting Version)



Dimensioni

Dimension

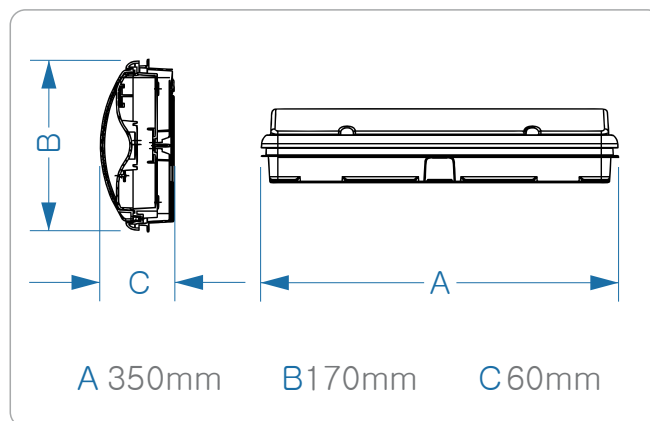
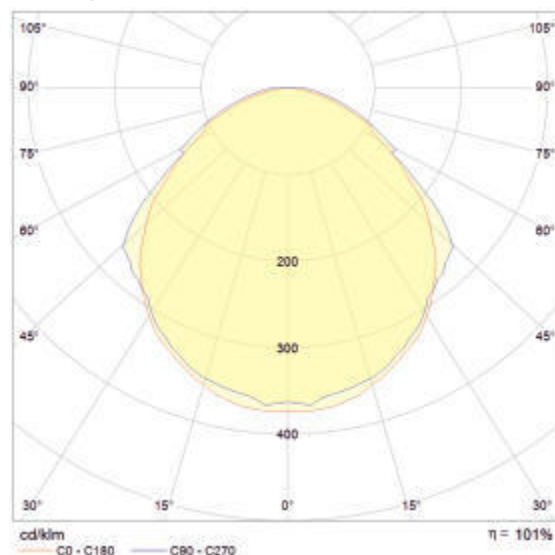


Diagramma polare

Polar diagram



REPLAY FROST -5°/+10° - STANDARD S.E. IP65							
CODICE	ARTICOLO	LUMEN S.E.		AUTONOMIA	BATTERIA	TEMPO DI RICARICA	MODO
61572	RFR300NM15SE65	300		90 min	Ni-Mh	12 h	S.E.
61573	RFR300NM30SE65	300		180 min	Ni-Mh	12 h	S.E.
61574	RFR600NM15SE65	600		90 min	Ni-Mh	12 h	S.E.
61575	RFR600NM30SE65	600		180 min	Ni-Mh	12 h	S.E.
61576	RFR1000NM15SE65	1000		90 min	Ni-Mh	12 h	S.E.
61577	RFR1000NM20SE65	1000		120 min	Ni-Mh	12 h	S.E.
61578	RFR1200NM15SE65	1200		90 min	Ni-Mh	12 h	S.E.
61579	RFR1200NM20SE65	1200		120 min	Ni-Mh	12 h	S.E.
REPLAY FROST -5°/+10° - STANDARD S.E./S.A. IP65							
CODICE	ARTICOLO	LUMEN S.E.	LUMEN S.A.	AUTONOMIA	BATTERIA	TEMPO DI RICARICA	MODO
61580	RFR300NM15SESA65	300	300	90 min	Ni-Mh	12 h	S.E./S.A.
61581	RFR300NM30SESA65	300	300	180 min	Ni-Mh	12 h	S.E./S.A.
61582	RFR600NM15SESA65	600	600	90 min	Ni-Mh	12 h	S.E./S.A.
61583	RFR600NM30SESA65	600	600	180 min	Ni-Mh	12 h	S.E./S.A.
61584	RFR1000NM15SESA65	1000	1000	90 min	Ni-Mh	12 h	S.E./S.A.
61585	RFR1000NM20SESA65	1000	1000	120 min	Ni-Mh	12 h	S.E./S.A.
61586	RFR1200NM15SESA65	1200	1000	90 min	Ni-Mh	12 h	S.E./S.A.
61587	RFR1200NM20SESA65	1200	1000	120 min	Ni-Mh	12 h	S.E./S.A.
REPLAY FROST -5°/+10° - AUTOTESTING S.E. IP65							
CODICE	ARTICOLO	LUMEN S.E.		AUTONOMIA	BATTERIA	TEMPO DI RICARICA	MODO
61588	RFR300NM15SE65TS	300		90 min	Ni-Mh	12 h	S.E.
61589	RFR300NM30SE65TS	300		180 min	Ni-Mh	12 h	S.E.
61590	RFR600NM15SE65TS	600		90 min	Ni-Mh	12 h	S.E.
61591	RFR600NM30SE65TS	600		180 min	Ni-Mh	12 h	S.E.
61592	RFR1000NM15SE65TS	1000		90 min	Ni-Mh	12 h	S.E.
61593	RFR1000NM20SE65TS	1000		120 min	Ni-Mh	12 h	S.E.
61594	RFR1200NM15SE65TS	1200		90 min	Ni-Mh	12 h	S.E.
61595	RFR1200NM20SE65TS	1200		120 min	Ni-Mh	12 h	S.E.
REPLAY FROST -5°/+10° - AUTOTESTING S.E./S.A. IP65							
CODICE	ARTICOLO	LUMEN S.E.	LUMEN S.A.	AUTONOMIA	BATTERIA	TEMPO DI RICARICA	MODO
61596	RFR300NM15SESA65TS	300	300	90 min	Ni-Mh	12 h	S.E./S.A.
61597	RFR300NM30SESA65TS	300	300	180 min	Ni-Mh	12 h	S.E./S.A.
61598	RFR600NM15SESA65TS	600	600	90 min	Ni-Mh	12 h	S.E./S.A.
61599	RFR600NM30SESA65TS	600	600	180 min	Ni-Mh	12 h	S.E./S.A.
61600	RFR1000NM15SESA65TS	1000	1000	90 min	Ni-Mh	12 h	S.E./S.A.
61601	RFR1000NM20SESA65TS	1000	1000	120 min	Ni-Mh	12 h	S.E./S.A.
61602	RFR1200NM15SESA65TS	1200	1000	90 min	Ni-Mh	12 h	S.E./S.A.
61603	RFR1200NM20SESA65TS	1200	1000	120 min	Ni-Mh	12 h	S.E./S.A.
REPLAY FROST -5°/+10° - CENTRAL SYSTEM S.E. IP65							
CODICE	ARTICOLO	LUMEN S.E.		AUTONOMIA	BATTERIA	TEMPO DI RICARICA	MODO
61604	RFR300NM15SE65CS	300		90 min	Ni-Mh	12 h	S.E.
61605	RFR300NM30SE65CS	300		180 min	Ni-Mh	12 h	S.E.
61606	RFR600NM15SE65CS	600		90 min	Ni-Mh	12 h	S.E.
61607	RFR600NM30SE65CS	600		180 min	Ni-Mh	12 h	S.E.
61608	RFR1000NM15SE65CS	1000		90 min	Ni-Mh	12 h	S.E.
61609	RFR1000NM20SE65CS	1000		120 min	Ni-Mh	12 h	S.E.
61610	RFR1200NM15SE65CS	1200		90 min	Ni-Mh	12 h	S.E.
61611	RFR1200NM20SE65CS	1200		120 min	Ni-Mh	12 h	S.E.
REPLAY FROST -5°/+10° - CENTRAL SYSTEM S.E./S.A. IP65							
CODICE	ARTICOLO	LUMEN S.E.	LUMEN S.A.	AUTONOMIA	BATTERIA	TEMPO DI RICARICA	MODO
61612	RFR300NM15SESA65CS	300	300	90 min	Ni-Mh	12 h	S.E./S.A.
61613	RFR300NM30SESA65CS	300	300	180 min	Ni-Mh	12 h	S.E./S.A.
61614	RFR600NM15SESA65CS	600	600	90 min	Ni-Mh	12 h	S.E./S.A.
61615	RFR600NM30SESA65CS	600	600	180 min	Ni-Mh	12 h	S.E./S.A.
61616	RFR1000NM15SESA65CS	1000	1000	90 min	Ni-Mh	12 h	S.E./S.A.
61617	RFR1000NM20SESA65CS	1000	1000	120 min	Ni-Mh	12 h	S.E./S.A.
61618	RFR1200NM15SESA65CS	1200	1000	90 min	Ni-Mh	12 h	S.E./S.A.
61619	RFR1200NM20SESA65CS	1200	1000	120 min	Ni-Mh	12 h	S.E./S.A.
REPLAY FROST -5°/+10° - S.O.S. GROUND SYSTEM IP65							
CODICE	ARTICOLO	LUMEN		ALIMENTAZIONE			
61620	RFRSOS300-230-65	300		230V			
61621	RFRSOS600-230-65	600		230V			
61622	RFRSOS1000-230-65	1000		230V			
61623	RFRSOS1200-230-65	1200		230V			
REPLAY FROST -5°/+10° - S.O.S. SYSTEM 24V IP65							
CODICE	ARTICOLO	LUMEN		ALIMENTAZIONE			
61624	RFRSOS300-24-65	300		24V			
61625	RFRSOS600-24-65	600		24V			
61626	RFRSOS1000-24-65	1000		24V			
61627	RFRSOS1200-24-65	1200		24V			
REPLAY FROST -5°/+10° - S.O.S. SYSTEM 48V IP65							
CODICE	ARTICOLO	LUMEN		ALIMENTAZIONE			
61628	RFRSOS300-48-65	300		48V			
61629	RFRSOS600-48-65	600		48V			
61630	RFRSOS1000-48-65	1000		48V			
61631	RFRSOS1200-48-65	1200		48V			

REPLAY FROST -5°/+10° - SOLOLUCE 12-24V IP65					
CODICE	ARTICOLO	LUMEN		ALIMENTAZIONE	
61632	RFRSL300-12-24-65	300		12-24V	
61633	RFRSL600-12-24-65	600		12-24V	
61634	RFRSL1000-12-24-65	1000		12-24V	
61635	RFRSL1200-12-24-65	1200		12-24V	
REPLAY FROST -5°/+10° - SOLOLUCE 230V IP65					
CODICE	ARTICOLO	LUMEN		ALIMENTAZIONE	
61636	RFRSL300-230-65	300		230V	
61637	RFRSL600-230-65	600		230V	
61638	RFRSL1000-230-65	1000		230V	
61639	RFRSL1200-230-65	1200		230V	