

# REPLAY

# ↑ TOP

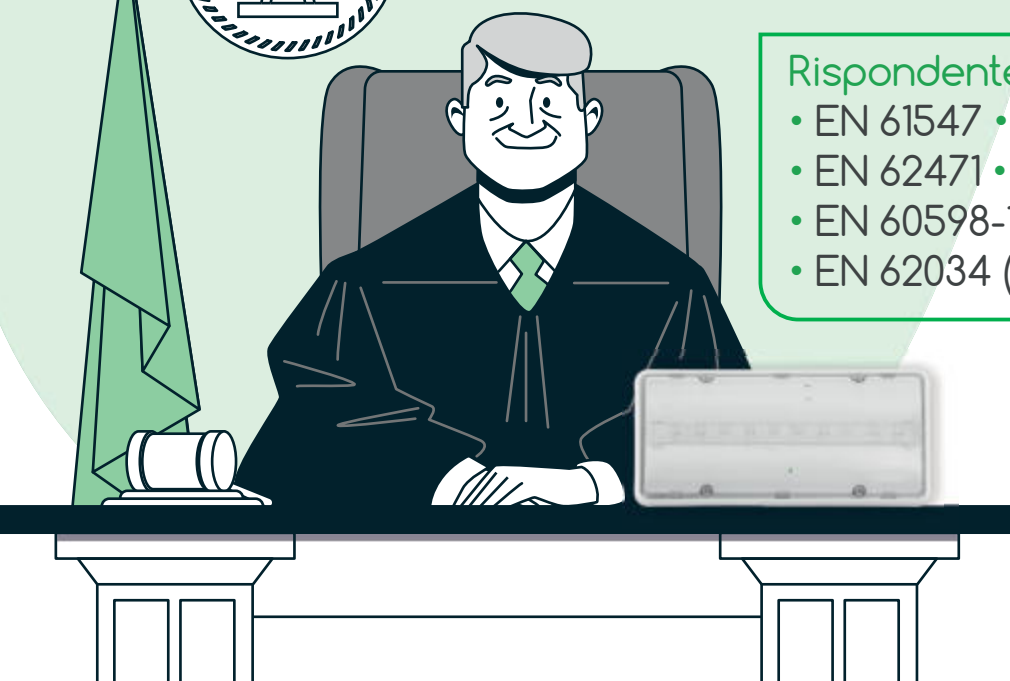
## Perché scegliere la REPLAY TOP?

- Flusso luminoso certificato unico sul mercato: da 100 a 2000 Lumen
- In modalità S.A. mantiene gli stessi lumen della S.E.
- Modalità REST MODE e possibilità di INIBIZIONE
- Realizzata con materiali di qualità Bayblend® autoestinguente V0
- Prodotta totalmente in Italia



## Rispondente alle seguenti normative:

- EN 61547 • EN 1838 • EN 60598-2-22
- EN 62471 • EN 55015, Classe B
- EN 60598-1 • EN 61347-2-7
- EN 62034 (Autotesting Version)



IDEALE PER INSTALLAZIONI IN AMBIENTI COME:

- SCUOLE
- OSPEDALI
- INDUSTRIE
- UFFICI

## CARATTERISTICHE PRINCIPALI:



Rispondente alle attuali normative vigenti



Ampia gamma da 100 a 2000 lumen



Adatta per interni ed esterni (IP44 o IP65)

REPLAY TOP

# REPLAY TOP

Fabbricazione elettronica italiana al 100%  
*100% Italian electronics manufacturing*

Alimentazione 230Vca -50Hz  
*230Vca -50Hz input Power*

Grado di protezione IP44 o IP65  
*IP44 or IP65 protection degree*

Grado di resistenza agli urti IK08  
*IK08 shock resistance degree*

Materiale corpo in Bayblend® (PC+ABS) autoestinguente V0  
*Self-extinguishing (V0) Bayblend® (PC+ABS) body material*

Materiale diffusore in policarbonato cristallo autoestinguente V0  
*Self-extinguishing (V0) crystal polycarbonate reflector material*

Temperatura operativa 0°C / +40°C (Ni-MH); +5°C/+40°C (LiFePO4)  
*0°C / +40°C (Ni-MH); +5°C/+40°C (LiFePO4)*

Glow wire test 960°C (2.0mm)  
*960°C (2.0mm) glow wire test*

Tipo di funzionamento S.E. o S.E./S.A.  
*NOT PERMANENT or PERMANENT functioning*

Autonomia da 60 a 180 minuti  
*From 60 to 180 minutes autonomy*

Tempo di ricarica 12 ore  
*12 hours recharging time*

Montaggio a parete o ad incasso tramite WALLBOX 01 (cod.07742)  
*Wall mounting or recessed wall mounting by WALLBOX 01 (cod.07742)*

Batteria Ni-MH o LiFePO4 ricaricabile, garantita 24 mesi  
*Rechargeable Ni-MH or LiFePO4 battery, 24 months warranty*

Ricarica della batteria a corrente costante  
*Battery recharging at constant rated current*

Protezione della batteria a scarica completa  
*Battery protection at full discharging*

LED verde spia presenza rete  
*Green LED power ON*

Fonte luminosa LED Alta efficienza  
*High efficiency LED Light source*

Gamma flusso luminoso nominale da 100 a 2000Lumen  
*Luminous flux range from 100 to 2000 Lumen*

Resa cromatica (CRI) 80  
*80 colour rendering index*

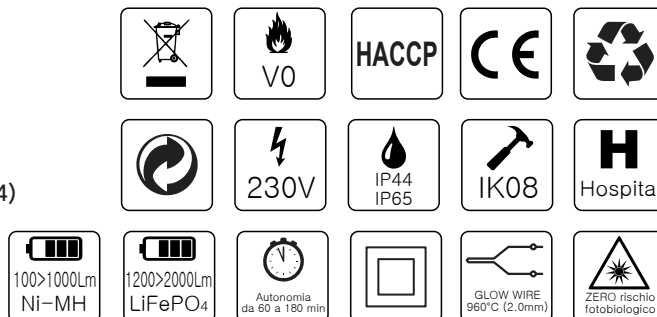
Temperatura colore 5000K  
*5000K colour temperature*

Zero rischio fotobiologico secondo EN62471  
*Photobiological no-risk according to EN62471*

Garanzia sulla fonte luminosa LED di 10 anni  
*10 years warranty on LED light source*

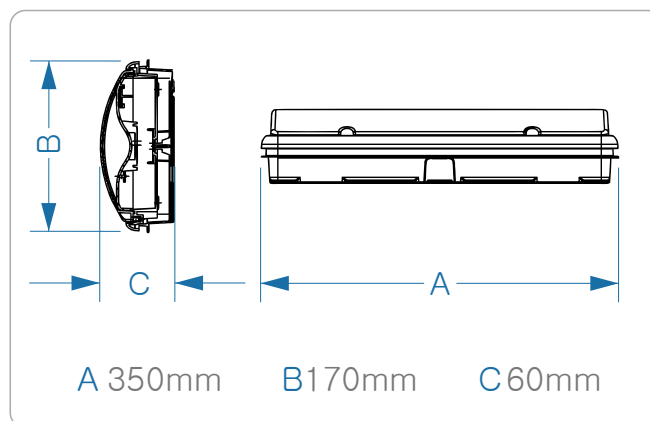
Conforme alle normative vigenti:  
*Complies with current Standards:*

- EN 61547 • EN 1838 • EN 60598-2-22 • EN 62471 • EN 55015, Classe B
- EN 60598-1 • EN 61347-2-7 • EN 62034 (Autotesting Version)



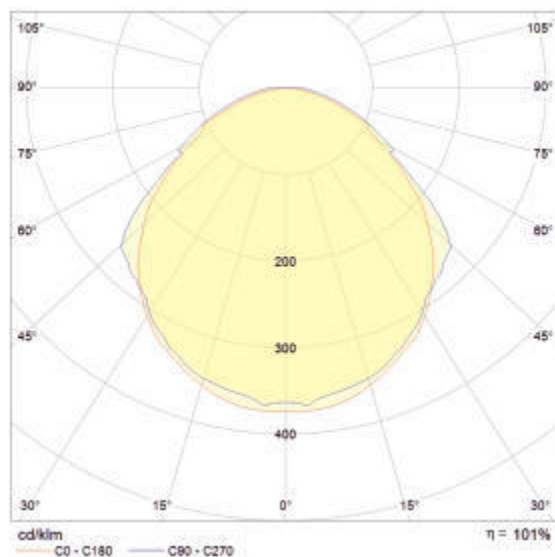
## Dimensioni

*Dimension*



## Diagramma polare

*Polar diagram*



REPLAY TOP - STANDARD S.E. IP44							
CODICE	ARTICOLO	LUMEN S.E.		AUTONOMIA	BATTERIA	TEMPO DI RICARICA	MODO
59808	REPTOP100NM10SE44	100		60 min	Ni-MH	12 h	S.E.
59809	REPTOP100NM30SE44	100		180 min	Ni-MH	12 h	S.E.
59810	REPTOP150NM10SE44	150		60 min	Ni-MH	12 h	S.E.
59811	REPTOP150NM30SE44	150		180 min	Ni-MH	12 h	S.E.
59812	REPTOP250NM10SE44	250		60 min	Ni-MH	12 h	S.E.
59813	REPTOP250NM30SE44	250		180 min	Ni-MH	12 h	S.E.
59814	REPTOP300NM10SE44	300		60 min	Ni-MH	12 h	S.E.
59815	REPTOP300NM30SE44	300		180 min	Ni-MH	12 h	S.E.
59816	REPTOP400NM10SE44	400		60 min	Ni-MH	12 h	S.E.
59817	REPTOP400NM30SE44	400		180 min	Ni-MH	12 h	S.E.
59818	REPTOP500NM10SE44	500		60 min	Ni-MH	12 h	S.E.
59819	REPTOP500NM30SE44	500		180 min	Ni-MH	12 h	S.E.
59820	REPTOP600NM10SE44	600		60 min	Ni-MH	12 h	S.E.
59821	REPTOP600NM30SE44	600		180 min	Ni-MH	12 h	S.E.
59822	REPTOP800NM10SE44	800		60 min	Ni-MH	12 h	S.E.
59823	REPTOP800NM20SE44	800		120 min	Ni-MH	12 h	S.E.
59824	REPTOP1000NM10SE44	1000		60 min	Ni-MH	12 h	S.E.
59825	REPTOP1000NM20SE44	1000		120 min	Ni-MH	12 h	S.E.
59826	REPTOP1200LFP10SE44	1200		60 min	LiFePO4	12 h	S.E.
59827	REPTOP1200LFP20SE44	1200		120 min	LiFePO4	12 h	S.E.
61058	REPTOP1200LFP30SE44	1200		180 min	LiFePO4	12 h	S.E.
59527	REPTOP1300LFP10SE44	1300		60 min	LiFePO4	12 h	S.E.
59528	REPTOP1300LFP15SE44	1300		90 min	LiFePO4	12 h	S.E.
59529	REPTOP1300LFP20SE44	1300		120 min	LiFePO4	12 h	S.E.
59530	REPTOP1300LFP30SE44	1300		180 min	LiFePO4	12 h	S.E.
59531	REPTOP1500LFP10SE44	1500		60 min	LiFePO4	12 h	S.E.
59532	REPTOP1500LFP15SE44	1500		90 min	LiFePO4	12 h	S.E.
59533	REPTOP1500LFP20SE44	1500		120 min	LiFePO4	12 h	S.E.
59534	REPTOP1500LFP30SE44	1500		180 min	LiFePO4	12 h	S.E.
59535	REPTOP1600LFP10SE44	1600		60 min	LiFePO4	12 h	S.E.
59536	REPTOP1600LFP15SE44	1600		90 min	LiFePO4	12 h	S.E.
59537	REPTOP1600LFP20SE44	1600		120 min	LiFePO4	12 h	S.E.
59538	REPTOP1600LFP30SE44	1600		180 min	LiFePO4	12 h	S.E.
59539	REPTOP1800LFP10SE44	1800		60 min	LiFePO4	12 h	S.E.
59540	REPTOP1800LFP15SE44	1800		90 min	LiFePO4	12 h	S.E.
59541	REPTOP1800LFP20SE44	1800		120 min	LiFePO4	12 h	S.E.
59542	REPTOP2000LFP10SE44	2000		60 min	LiFePO4	12 h	S.E.
59543	REPTOP2000LFP15SE44	2000		90 min	LiFePO4	12 h	S.E.
59544	REPTOP2000LFP20SE44	2000		120 min	LiFePO4	12 h	S.E.

REPLAY TOP - STANDARD S.E./S.A. IP44							
CODICE	ARTICOLO	LUMEN S.E.	LUMEN S.A.	AUTONOMIA	BATTERIA	TEMPO DI RICARICA	MODO
59828	REPTOP100NM10SESA44	100	100	60 min	Ni-MH	12 h	S.E./S.A.
59829	REPTOP100NM30SESA44	100	100	180 min	Ni-MH	12 h	S.E./S.A.
59830	REPTOP150NM10SESA44	150	150	60 min	Ni-MH	12 h	S.E./S.A.
59831	REPTOP150NM30SESA44	150	150	180 min	Ni-MH	12 h	S.E./S.A.
59832	REPTOP250NM10SESA44	250	250	60 min	Ni-MH	12 h	S.E./S.A.
59833	REPTOP250NM30SESA44	250	250	180 min	Ni-MH	12 h	S.E./S.A.
59834	REPTOP300NM10SESA44	300	300	60 min	Ni-MH	12 h	S.E./S.A.
59835	REPTOP300NM30SESA44	300	300	180 min	Ni-MH	12 h	S.E./S.A.
59836	REPTOP400NM10SESA44	400	400	60 min	Ni-MH	12 h	S.E./S.A.
59837	REPTOP400NM30SESA44	400	400	180 min	Ni-MH	12 h	S.E./S.A.
59838	REPTOP500NM10SESA44	500	500	60 min	Ni-MH	12 h	S.E./S.A.
59839	REPTOP500NM30SESA44	500	500	180 min	Ni-MH	12 h	S.E./S.A.
59840	REPTOP600NM10SESA44	600	600	60 min	Ni-MH	12 h	S.E./S.A.
59841	REPTOP600NM30SESA44	600	600	180 min	Ni-MH	12 h	S.E./S.A.
59842	REPTOP800NM10SESA44	800	800	60 min	Ni-MH	12 h	S.E./S.A.
59843	REPTOP800NM20SESA44	800	800	120 min	Ni-MH	12 h	S.E./S.A.
59844	REPTOP1000NM10SESA44	1000	1000	60 min	Ni-MH	12 h	S.E./S.A.
59845	REPTOP1000NM20SESA44	1000	1000	120 min	Ni-MH	12 h	S.E./S.A.
59846	REPTOP1200LFP10SESA44	1200	1200	60 min	LiFePO4	12 h	S.E./S.A.
59847	REPTOP1200LFP20SESA44	1200	1200	120 min	LiFePO4	12 h	S.E./S.A.
61059	REPTOP1200LFP30SESA44	1200	1200	180 min	LiFePO4	12 h	S.E./S.A.
59545	REPTOP1300LFP10SESA44	1300	1300	60 min	LiFePO4	12 h	S.E./S.A.
59546	REPTOP1300LFP15SESA44	1300	1300	90 min	LiFePO4	12 h	S.E./S.A.

59547	REPTOP1300LFP20SESA44	1300	1300	120 min	LiFePO4	12 h	S.E./S.A.
59548	REPTOP1300LFP30SESA44	1300	1300	180 min	LiFePO4	12 h	S.E./S.A.
59549	REPTOP1500LFP10SESA44	1500	1500	60 min	LiFePO4	12 h	S.E./S.A.
59550	REPTOP1500LFP15SESA44	1500	1500	90 min	LiFePO4	12 h	S.E./S.A.
59551	REPTOP1500LFP20SESA44	1500	1500	120 min	LiFePO4	12 h	S.E./S.A.
59552	REPTOP1500LFP30SESA44	1500	1500	180 min	LiFePO4	12 h	S.E./S.A.
59553	REPTOP1600LFP10SESA44	1600	1600	60 min	LiFePO4	12 h	S.E./S.A.
59554	REPTOP1600LFP15SESA44	1600	1600	90 min	LiFePO4	12 h	S.E./S.A.
59555	REPTOP1600LFP20SESA44	1600	1600	120 min	LiFePO4	12 h	S.E./S.A.
59556	REPTOP1600LFP30SESA44	1600	1600	180 min	LiFePO4	12 h	S.E./S.A.
59557	REPTOP1800LFP10SESA44	1800	1800	60 min	LiFePO4	12 h	S.E./S.A.
59558	REPTOP1800LFP15SESA44	1800	1800	90 min	LiFePO4	12 h	S.E./S.A.
59559	REPTOP1800LFP20SESA44	1800	1800	120 min	LiFePO4	12 h	S.E./S.A.
59560	REPTOP2000LFP10SESA44	2000	2000	60 min	LiFePO4	12 h	S.E./S.A.
59561	REPTOP2000LFP15SESA44	2000	2000	90 min	LiFePO4	12 h	S.E./S.A.
59562	REPTOP2000LFP20SESA44	2000	2000	120 min	LiFePO4	12 h	S.E./S.A.

## REPLAY TOP - STANDARD S.E. IP65

CODICE	ARTICOLO	LUMEN S.E.	AUTONOMIA	BATTERIA	TEMPO DI RICARICA	MODO
59848	REPTOP100NM10SE65	100	60 min	Ni-MH	12 h	S.E.
59849	REPTOP100NM30SE65	100	180 min	Ni-MH	12 h	S.E.
59850	REPTOP150NM10SE65	150	60 min	Ni-MH	12 h	S.E.
59851	REPTOP150NM30SE65	150	180 min	Ni-MH	12 h	S.E.
59852	REPTOP250NM10SE65	250	60 min	Ni-MH	12 h	S.E.
59853	REPTOP250NM30SE65	250	180 min	Ni-MH	12 h	S.E.
59854	REPTOP300NM10SE65	300	60 min	Ni-MH	12 h	S.E.
59855	REPTOP300NM30SE65	300	180 min	Ni-MH	12 h	S.E.
59856	REPTOP400NM10SE65	400	60 min	Ni-MH	12 h	S.E.
59857	REPTOP400NM30SE65	400	180 min	Ni-MH	12 h	S.E.
59858	REPTOP500NM10SE65	500	60 min	Ni-MH	12 h	S.E.
59859	REPTOP500NM30SE65	500	180 min	Ni-MH	12 h	S.E.
59860	REPTOP600NM10SE65	600	60 min	Ni-MH	12 h	S.E.
59861	REPTOP600NM30SE65	600	180 min	Ni-MH	12 h	S.E.
59862	REPTOP800NM10SE65	800	60 min	Ni-MH	12 h	S.E.
59863	REPTOP800NM20SE65	800	120 min	Ni-MH	12 h	S.E.
59864	REPTOP1000NM10SE65	1000	60 min	Ni-MH	12 h	S.E.
59865	REPTOP1000NM20SE65	1000	120 min	Ni-MH	12 h	S.E.
59866	REPTOP1200LFP10SE65	1200	60 min	LiFePO4	12 h	S.E.
59867	REPTOP1200LFP20SE65	1200	120 min	LiFePO4	12 h	S.E.
61060	REPTOP1200LFP30SE65	1200	180 min	LiFePO4	12 h	S.E.
59563	REPTOP1300LFP10SE65	1300	60 min	LiFePO4	12 h	S.E.
59564	REPTOP1300LFP15SE65	1300	90 min	LiFePO4	12 h	S.E.
59565	REPTOP1300LFP20SE65	1300	120 min	LiFePO4	12 h	S.E.
59566	REPTOP1300LFP30SE65	1300	180 min	LiFePO4	12 h	S.E.
59567	REPTOP1500LFP10SE65	1500	60 min	LiFePO4	12 h	S.E.
59568	REPTOP1500LFP15SE65	1500	90 min	LiFePO4	12 h	S.E.
59569	REPTOP1500LFP20SE65	1500	120 min	LiFePO4	12 h	S.E.
59570	REPTOP1500LFP30SE65	1500	180 min	LiFePO4	12 h	S.E.
59571	REPTOP1600LFP10SE65	1600	60 min	LiFePO4	12 h	S.E.
59572	REPTOP1600LFP15SE65	1600	90 min	LiFePO4	12 h	S.E.
59573	REPTOP1600LFP20SE65	1600	120 min	LiFePO4	12 h	S.E.
59574	REPTOP1600LFP30SE65	1600	180 min	LiFePO4	12 h	S.E.
59575	REPTOP1800LFP10SE65	1800	60 min	LiFePO4	12 h	S.E.
59576	REPTOP1800LFP15SE65	1800	90 min	LiFePO4	12 h	S.E.
59577	REPTOP1800LFP20SE65	1800	120 min	LiFePO4	12 h	S.E.
59578	REPTOP2000LFP10SE65	2000	60 min	LiFePO4	12 h	S.E.
59579	REPTOP2000LFP15SE65	2000	90 min	LiFePO4	12 h	S.E.
59580	REPTOP2000LFP20SE65	2000	120 min	LiFePO4	12 h	S.E.

## REPLAY TOP - STANDARD S.E./S.A. IP65

CODICE	ARTICOLO	LUMEN S.E.	LUMEN S.A.	AUTONOMIA	BATTERIA	TEMPO DI RICARICA	MODO
59868	REPTOP100NM10SESA65	100	100	60 min	Ni-MH	12 h	S.E./S.A.
59869	REPTOP100NM30SESA65	100	100	180 min	Ni-MH	12 h	S.E./S.A.
59870	REPTOP150NM10SESA65	150	150	60 min	Ni-MH	12 h	S.E./S.A.
59871	REPTOP150NM30SESA65	150	150	180 min	Ni-MH	12 h	S.E./S.A.
59872	REPTOP250NM10SESA65	250	250	60 min	Ni-MH	12 h	S.E./S.A.
59873	REPTOP250NM30SESA65	250	250	180 min	Ni-MH	12 h	S.E./S.A.
59874	REPTOP300NM10SESA65	300	300	60 min	Ni-MH	12 h	S.E./S.A.

59875	REPTOP300NM30SESA65	300	300	180 min	Ni-MH	12 h	S.E./S.A.
59876	REPTOP400NM10SESA65	400	400	60 min	Ni-MH	12 h	S.E./S.A.
59877	REPTOP400NM30SESA65	400	400	180 min	Ni-MH	12 h	S.E./S.A.
59878	REPTOP500NM10SESA65	500	500	60 min	Ni-MH	12 h	S.E./S.A.
59879	REPTOP500NM30SESA65	500	500	180 min	Ni-MH	12 h	S.E./S.A.
59880	REPTOP600NM10SESA65	600	600	60 min	Ni-MH	12 h	S.E./S.A.
59881	REPTOP600NM30SESA65	600	600	180 min	Ni-MH	12 h	S.E./S.A.
59882	REPTOP800NM10SESA65	800	800	60 min	Ni-MH	12 h	S.E./S.A.
59883	REPTOP800NM20SESA65	800	800	120 min	Ni-MH	12 h	S.E./S.A.
59884	REPTOP1000NM10SESA65	1000	1000	60 min	Ni-MH	12 h	S.E./S.A.
59885	REPTOP1000NM20SESA65	1000	1000	120 min	Ni-MH	12 h	S.E./S.A.
59886	REPTOP1200LFP10SESA65	1200	1200	60 min	LiFePO4	12 h	S.E./S.A.
59887	REPTOP1200LFP20SESA65	1200	1200	120 min	LiFePO4	12 h	S.E./S.A.
61061	REPTOP1200LFP30SESA65	1200	1200	180 min	LiFePO4	12 h	S.E./S.A.
59581	REPTOP1300LFP10SESA65	1300	1300	60 min	LiFePO4	12 h	S.E./S.A.
59582	REPTOP1300LFP15SESA65	1300	1300	90 min	LiFePO4	12 h	S.E./S.A.
59583	REPTOP1300LFP20SESA65	1300	1300	120 min	LiFePO4	12 h	S.E./S.A.
59584	REPTOP1300LFP30SESA65	1300	1300	180 min	LiFePO4	12 h	S.E./S.A.
59585	REPTOP1500LFP10SESA65	1500	1500	60 min	LiFePO4	12 h	S.E./S.A.
59586	REPTOP1500LFP15SESA65	1500	1500	90 min	LiFePO4	12 h	S.E./S.A.
59587	REPTOP1500LFP20SESA65	1500	1500	120 min	LiFePO4	12 h	S.E./S.A.
59588	REPTOP1500LFP30SESA65	1500	1500	180 min	LiFePO4	12 h	S.E./S.A.
59589	REPTOP1600LFP10SESA65	1600	1600	60 min	LiFePO4	12 h	S.E./S.A.
59590	REPTOP1600LFP15SESA65	1600	1600	90 min	LiFePO4	12 h	S.E./S.A.
59591	REPTOP1600LFP20SESA65	1600	1600	120 min	LiFePO4	12 h	S.E./S.A.
59592	REPTOP1600LFP30SESA65	1600	1600	180 min	LiFePO4	12 h	S.E./S.A.
59593	REPTOP1800LFP10SESA65	1800	1800	60 min	LiFePO4	12 h	S.E./S.A.
59594	REPTOP1800LFP15SESA65	1800	1800	90 min	LiFePO4	12 h	S.E./S.A.
59595	REPTOP1800LFP20SESA65	1800	1800	120 min	LiFePO4	12 h	S.E./S.A.
59596	REPTOP2000LFP10SESA65	2000	2000	60 min	LiFePO4	12 h	S.E./S.A.
59597	REPTOP2000LFP15SESA65	2000	2000	90 min	LiFePO4	12 h	S.E./S.A.
59598	REPTOP2000LFP20SESA65	2000	2000	120 min	LiFePO4	12 h	S.E./S.A.

## REPLAY TOP - AUTOTESTING S.E. IP44

CODICE	ARTICOLO	LUMEN S.E.	AUTONOMIA	BATTERIA	TEMPO DI RICARICA	MODO
59888	REPTOP-AT-100NM10SE44	100	60 min	Ni-MH	12 h	S.E.
59889	REPTOP-AT-100NM30SE44	100	180 min	Ni-MH	12 h	S.E.
59890	REPTOP-AT-150NM10SE44	150	60 min	Ni-MH	12 h	S.E.
59891	REPTOP-AT-150NM30SE44	150	180 min	Ni-MH	12 h	S.E.
59892	REPTOP-AT-250NM10SE44	250	60 min	Ni-MH	12 h	S.E.
59893	REPTOP-AT-250NM30SE44	250	180 min	Ni-MH	12 h	S.E.
59894	REPTOP-AT-300NM10SE44	300	60 min	Ni-MH	12 h	S.E.
59895	REPTOP-AT-300NM30SE44	300	180 min	Ni-MH	12 h	S.E.
59896	REPTOP-AT-400NM10SE44	400	60 min	Ni-MH	12 h	S.E.
59897	REPTOP-AT-400NM30SE44	400	180 min	Ni-MH	12 h	S.E.
59898	REPTOP-AT-500NM10SE44	500	60 min	Ni-MH	12 h	S.E.
59899	REPTOP-AT-500NM30SE44	500	180 min	Ni-MH	12 h	S.E.
59900	REPTOP-AT-600NM10SE44	600	60 min	Ni-MH	12 h	S.E.
59901	REPTOP-AT-600NM30SE44	600	180 min	Ni-MH	12 h	S.E.
59902	REPTOP-AT-800NM10SE44	800	60 min	Ni-MH	12 h	S.E.
59903	REPTOP-AT-800NM20SE44	800	120 min	Ni-MH	12 h	S.E.
59904	REPTOP-AT-1000NM10SE44	1000	60 min	Ni-MH	12 h	S.E.
59905	REPTOP-AT-1000NM20SE44	1000	120 min	Ni-MH	12 h	S.E.
59906	REPTOP-AT-1200LFP10SE44	1200	60 min	LiFePO4	12 h	S.E.
59907	REPTOP-AT-1200LFP20SE44	1200	120 min	LiFePO4	12 h	S.E.
61062	REPTOP-AT-1200LFP30SE44	1200	180 min	LiFePO4	12 h	S.E.
59599	REPTOP-AT-1300LFP10SE44	1300	60 min	LiFePO4	12 h	S.E.
59600	REPTOP-AT-1300LFP15SE44	1300	90 min	LiFePO4	12 h	S.E.
59601	REPTOP-AT-1300LFP20SE44	1300	120 min	LiFePO4	12 h	S.E.
59602	REPTOP-AT-1300LFP30SE44	1300	180 min	LiFePO4	12 h	S.E.
59603	REPTOP-AT-1500LFP10SE44	1500	60 min	LiFePO4	12 h	S.E.
59604	REPTOP-AT-1500LFP15SE44	1500	90 min	LiFePO4	12 h	S.E.
59605	REPTOP-AT-1500LFP20SE44	1500	120 min	LiFePO4	12 h	S.E.
59606	REPTOP-AT-1500LFP30SE44	1500	180 min	LiFePO4	12 h	S.E.
59607	REPTOP-AT-1600LFP10SE44	1600	60 min	LiFePO4	12 h	S.E.
59608	REPTOP-AT-1600LFP15SE44	1600	90 min	LiFePO4	12 h	S.E.
59609	REPTOP-AT-1600LFP20SE44	1600	120 min	LiFePO4	12 h	S.E.

59610	REPTOP-AT-1600LFP30SE44	1600	180 min	LiFePO4	12 h	S.E.
59611	REPTOP-AT-1800LFP10SE44	1800	60 min	LiFePO4	12 h	S.E.
59612	REPTOP-AT-1800LFP15SE44	1800	90 min	LiFePO4	12 h	S.E.
59613	REPTOP-AT-1800LFP20SE44	1800	120 min	LiFePO4	12 h	S.E.
59614	REPTOP-AT-2000LFP10SE44	2000	60 min	LiFePO4	12 h	S.E.
59615	REPTOP-AT-2000LFP15SE44	2000	90 min	LiFePO4	12 h	S.E.
59616	REPTOP-AT-2000LFP20SE44	2000	120 min	LiFePO4	12 h	S.E.

## REPLAY TOP - AUTOTESTING S.E./S.A. IP44

CODICE	ARTICOLO	LUMEN S.E.	LUMEN S.A.	AUTONOMIA	BATTERIA	TEMPO DI RICARICA	MODO
59908	REPTOP-AT-100NM10SESA44	100	100	60 min	Ni-MH	12 h	S.E./S.A.
59909	REPTOP-AT-100NM30SESA44	100	100	180 min	Ni-MH	12 h	S.E./S.A.
59910	REPTOP-AT-150NM10SESA44	150	150	60 min	Ni-MH	12 h	S.E./S.A.
59911	REPTOP-AT-150NM30SESA44	150	150	180 min	Ni-MH	12 h	S.E./S.A.
59912	REPTOP-AT-250NM10SESA44	250	250	60 min	Ni-MH	12 h	S.E./S.A.
59913	REPTOP-AT-250NM30SESA44	250	250	180 min	Ni-MH	12 h	S.E./S.A.
59914	REPTOP-AT-300NM10SESA44	300	300	60 min	Ni-MH	12 h	S.E./S.A.
59915	REPTOP-AT-300NM30SESA44	300	300	180 min	Ni-MH	12 h	S.E./S.A.
59916	REPTOP-AT-400NM10SESA44	400	400	60 min	Ni-MH	12 h	S.E./S.A.
59917	REPTOP-AT-400NM30SESA44	400	400	180 min	Ni-MH	12 h	S.E./S.A.
59918	REPTOP-AT-500NM10SESA44	500	500	60 min	Ni-MH	12 h	S.E./S.A.
59919	REPTOP-AT-500NM30SESA44	500	500	180 min	Ni-MH	12 h	S.E./S.A.
59920	REPTOP-AT-600NM10SESA44	600	600	60 min	Ni-MH	12 h	S.E./S.A.
59921	REPTOP-AT-600NM30SESA44	600	600	180 min	Ni-MH	12 h	S.E./S.A.
59922	REPTOP-AT-800NM10SESA44	800	800	60 min	Ni-MH	12 h	S.E./S.A.
59923	REPTOP-AT-800NM20SESA44	800	800	120 min	Ni-MH	12 h	S.E./S.A.
59924	REPTOP-AT-1000NM10SESA44	1000	1000	60 min	Ni-MH	12 h	S.E./S.A.
59925	REPTOP-AT-1000NM20SESA44	1000	1000	120 min	Ni-MH	12 h	S.E./S.A.
59926	REPTOP-AT-1200LFP10SESA44	1200	1200	60 min	LiFePO4	12 h	S.E./S.A.
59927	REPTOP-AT-1200LFP20SESA44	1200	1200	120 min	LiFePO4	12 h	S.E./S.A.
61063	REPTOP-AT-1200LFP30SESA44	1200	1200	180 min	LiFePO4	12 h	S.E./S.A.
59617	REPTOP-AT-1300LFP10SESA44	1300	1300	60 min	LiFePO4	12 h	S.E./S.A.
59618	REPTOP-AT-1300LFP15SESA44	1300	1300	90 min	LiFePO4	12 h	S.E./S.A.
59619	REPTOP-AT-1300LFP20SESA44	1300	1300	120 min	LiFePO4	12 h	S.E./S.A.
59620	REPTOP-AT-1300LFP30SESA44	1300	1300	180 min	LiFePO4	12 h	S.E./S.A.
59621	REPTOP-AT-1500LFP10SESA44	1500	1500	60 min	LiFePO4	12 h	S.E./S.A.
59622	REPTOP-AT-1500LFP15SESA44	1500	1500	90 min	LiFePO4	12 h	S.E./S.A.
59623	REPTOP-AT-1500LFP20SESA44	1500	1500	120 min	LiFePO4	12 h	S.E./S.A.
59624	REPTOP-AT-1500LFP30SESA44	1500	1500	180 min	LiFePO4	12 h	S.E./S.A.
59625	REPTOP-AT-1600LFP10SESA44	1600	1600	60 min	LiFePO4	12 h	S.E./S.A.
59626	REPTOP-AT-1600LFP15SESA44	1600	1600	90 min	LiFePO4	12 h	S.E./S.A.
59627	REPTOP-AT-1600LFP20SESA44	1600	1600	120 min	LiFePO4	12 h	S.E./S.A.
59628	REPTOP-AT-1600LFP30SESA44	1600	1600	180 min	LiFePO4	12 h	S.E./S.A.
59629	REPTOP-AT-1800LFP10SESA44	1800	1800	60 min	LiFePO4	12 h	S.E./S.A.
59630	REPTOP-AT-1800LFP15SESA44	1800	1800	90 min	LiFePO4	12 h	S.E./S.A.
59631	REPTOP-AT-1800LFP20SESA44	1800	1800	120 min	LiFePO4	12 h	S.E./S.A.
59632	REPTOP-AT-2000LFP10SESA44	2000	2000	60 min	LiFePO4	12 h	S.E./S.A.
59633	REPTOP-AT-2000LFP15SESA44	2000	2000	90 min	LiFePO4	12 h	S.E./S.A.
59634	REPTOP-AT-2000LFP20SESA44	2000	2000	120 min	LiFePO4	12 h	S.E./S.A.

## REPLAY TOP - AUTOTESTING S.E. IP65

CODICE	ARTICOLO	LUMEN S.E.	AUTONOMIA	BATTERIA	TEMPO DI RICARICA	MODO
59928	REPTOP-AT-100NM10SE65	100	60 min	Ni-MH	12 h	S.E.
59929	REPTOP-AT-100NM30SE65	100	180 min	Ni-MH	12 h	S.E.
59930	REPTOP-AT-150NM10SE65	150	60 min	Ni-MH	12 h	S.E.
59931	REPTOP-AT-150NM30SE65	150	180 min	Ni-MH	12 h	S.E.
59932	REPTOP-AT-250NM10SE65	250	60 min	Ni-MH	12 h	S.E.
59933	REPTOP-AT-250NM30SE65	250	180 min	Ni-MH	12 h	S.E.
59934	REPTOP-AT-300NM10SE65	300	60 min	Ni-MH	12 h	S.E.
59935	REPTOP-AT-300NM30SE65	300	180 min	Ni-MH	12 h	S.E.
59936	REPTOP-AT-400NM10SE65	400	60 min	Ni-MH	12 h	S.E.
59937	REPTOP-AT-400NM30SE65	400	180 min	Ni-MH	12 h	S.E.
59938	REPTOP-AT-500NM10SE65	500	60 min	Ni-MH	12 h	S.E.
59939	REPTOP-AT-500NM30SE65	500	180 min	Ni-MH	12 h	S.E.
59940	REPTOP-AT-600NM10SE65	600	60 min	Ni-MH	12 h	S.E.
59941	REPTOP-AT-600NM30SE65	600	180 min	Ni-MH	12 h	S.E.
59942	REPTOP-AT-800NM10SE65	800	60 min	Ni-MH	12 h	S.E.
59943	REPTOP-AT-800NM20SE65	800	120 min	Ni-MH	12 h	S.E.

59944	REPTOP-AT-1000NM10SE65	1000	60 min	Ni-MH	12 h	S.E.
59945	REPTOP-AT-1000NM20SE65	1000	120 min	Ni-MH	12 h	S.E.
59946	REPTOP-AT-1200LFP10SE65	1200	60 min	LiFePO4	12 h	S.E.
59947	REPTOP-AT-1200LFP20SE65	1200	120 min	LiFePO4	12 h	S.E.
61064	REPTOP-AT-1200LFP30SE65	1200	180 min	LiFePO4	12 h	S.E.
59635	REPTOP-AT-1300LFP10SE65	1300	60 min	LiFePO4	12 h	S.E.
59636	REPTOP-AT-1300LFP15SE65	1300	90 min	LiFePO4	12 h	S.E.
59637	REPTOP-AT-1300LFP20SE65	1300	120 min	LiFePO4	12 h	S.E.
59638	REPTOP-AT-1300LFP30SE65	1300	180 min	LiFePO4	12 h	S.E.
59639	REPTOP-AT-1500LFP10SE65	1500	60 min	LiFePO4	12 h	S.E.
59640	REPTOP-AT-1500LFP15SE65	1500	90 min	LiFePO4	12 h	S.E.
59641	REPTOP-AT-1500LFP20SE65	1500	120 min	LiFePO4	12 h	S.E.
59642	REPTOP-AT-1500LFP30SE65	1500	180 min	LiFePO4	12 h	S.E.
59643	REPTOP-AT-1600LFP10SE65	1600	60 min	LiFePO4	12 h	S.E.
59644	REPTOP-AT-1600LFP15SE65	1600	90 min	LiFePO4	12 h	S.E.
59645	REPTOP-AT-1600LFP20SE65	1600	120 min	LiFePO4	12 h	S.E.
59646	REPTOP-AT-1600LFP30SE65	1600	180 min	LiFePO4	12 h	S.E.
59647	REPTOP-AT-1800LFP10SE65	1800	60 min	LiFePO4	12 h	S.E.
59648	REPTOP-AT-1800LFP15SE65	1800	90 min	LiFePO4	12 h	S.E.
59649	REPTOP-AT-1800LFP20SE65	1800	120 min	LiFePO4	12 h	S.E.
59650	REPTOP-AT-2000LFP10SE65	2000	60 min	LiFePO4	12 h	S.E.
59651	REPTOP-AT-2000LFP15SE65	2000	90 min	LiFePO4	12 h	S.E.
59652	REPTOP-AT-2000LFP20SE65	2000	120 min	LiFePO4	12 h	S.E.

## REPLAY TOP - AUTOTESTING S.E./S.A. IP65

CODICE	ARTICOLO	LUMEN S.E.	LUMEN S.A.	AUTONOMIA	BATTERIA	TEMPO DI RICARICA	MODO
59948	REPTOP-AT-100NM10SESA65	100	100	60 min	Ni-MH	12 h	S.E./S.A.
59949	REPTOP-AT-100NM30SESA65	100	100	180 min	Ni-MH	12 h	S.E./S.A.
59950	REPTOP-AT-150NM10SESA65	150	150	60 min	Ni-MH	12 h	S.E./S.A.
59951	REPTOP-AT-150NM30SESA65	150	150	180 min	Ni-MH	12 h	S.E./S.A.
59952	REPTOP-AT-250NM10SESA65	250	250	60 min	Ni-MH	12 h	S.E./S.A.
59953	REPTOP-AT-250NM30SESA65	250	250	180 min	Ni-MH	12 h	S.E./S.A.
59954	REPTOP-AT-300NM10SESA65	300	300	60 min	Ni-MH	12 h	S.E./S.A.
59955	REPTOP-AT-300NM30SESA65	300	300	180 min	Ni-MH	12 h	S.E./S.A.
59956	REPTOP-AT-400NM10SESA65	400	400	60 min	Ni-MH	12 h	S.E./S.A.
59957	REPTOP-AT-400NM30SESA65	400	400	180 min	Ni-MH	12 h	S.E./S.A.
59958	REPTOP-AT-500NM10SESA65	500	500	60 min	Ni-MH	12 h	S.E./S.A.
59959	REPTOP-AT-500NM30SESA65	500	500	180 min	Ni-MH	12 h	S.E./S.A.
59960	REPTOP-AT-600NM10SESA65	600	600	60 min	Ni-MH	12 h	S.E./S.A.
59961	REPTOP-AT-600NM30SESA65	600	600	180 min	Ni-MH	12 h	S.E./S.A.
59962	REPTOP-AT-800NM10SESA65	800	800	60 min	Ni-MH	12 h	S.E./S.A.
59963	REPTOP-AT-800NM20SESA65	800	800	120 min	Ni-MH	12 h	S.E./S.A.
59964	REPTOP-AT-1000NM10SESA65	1000	1000	60 min	Ni-MH	12 h	S.E./S.A.
59965	REPTOP-AT-1000NM20SESA65	1000	1000	120 min	Ni-MH	12 h	S.E./S.A.
59966	REPTOP-AT-1200LFP10SESA65	1200	1200	60 min	LiFePO4	12 h	S.E./S.A.
59967	REPTOP-AT-1200LFP20SESA65	1200	1200	120 min	LiFePO4	12 h	S.E./S.A.
61065	REPTOP-AT-1200LFP30SESA65	1200	1200	180 min	LiFePO4	12 h	S.E./S.A.
59653	REPTOP-AT-1300LFP10SESA65	1300	1300	60 min	LiFePO4	12 h	S.E./S.A.
59654	REPTOP-AT-1300LFP15SESA65	1300	1300	90 min	LiFePO4	12 h	S.E./S.A.
59655	REPTOP-AT-1300LFP20SESA65	1300	1300	120 min	LiFePO4	12 h	S.E./S.A.
59656	REPTOP-AT-1300LFP30SESA65	1300	1300	180 min	LiFePO4	12 h	S.E./S.A.
59657	REPTOP-AT-1500LFP10SESA65	1500	1500	60 min	LiFePO4	12 h	S.E./S.A.
59658	REPTOP-AT-1500LFP15SESA65	1500	1500	90 min	LiFePO4	12 h	S.E./S.A.
59659	REPTOP-AT-1500LFP20SESA65	1500	1500	120 min	LiFePO4	12 h	S.E./S.A.
59660	REPTOP-AT-1500LFP30SESA65	1500	1500	180 min	LiFePO4	12 h	S.E./S.A.
59661	REPTOP-AT-1600LFP10SESA65	1600	1600	60 min	LiFePO4	12 h	S.E./S.A.
59662	REPTOP-AT-1600LFP15SESA65	1600	1600	90 min	LiFePO4	12 h	S.E./S.A.
59663	REPTOP-AT-1600LFP20SESA65	1600	1600	120 min	LiFePO4	12 h	S.E./S.A.
59664	REPTOP-AT-1600LFP30SESA65	1600	1600	180 min	LiFePO4	12 h	S.E./S.A.
59665	REPTOP-AT-1800LFP10SESA65	1800	1800	60 min	LiFePO4	12 h	S.E./S.A.
59666	REPTOP-AT-1800LFP15SESA65	1800	1800	90 min	LiFePO4	12 h	S.E./S.A.
59667	REPTOP-AT-1800LFP20SESA65	1800	1800	120 min	LiFePO4	12 h	S.E./S.A.
59668	REPTOP-AT-2000LFP10SESA65	2000	2000	60 min	LiFePO4	12 h	S.E./S.A.
59669	REPTOP-AT-2000LFP15SESA65	2000	2000	90 min	LiFePO4	12 h	S.E./S.A.
59670	REPTOP-AT-2000LFP20SESA65	2000	2000	120 min	LiFePO4	12 h	S.E./S.A.

REPLAY TOP - CENTRAL SYSTEM S.E. IP44							
CODICE	ARTICOLO	LUMEN S.E.		AUTONOMIA	BATTERIA	TEMPO DI RICARICA	MODO
59968	REPTOP-CS-100NM10SE44	100		60 min	Ni-MH	12 h	S.E.
59969	REPTOP-CS-100NM30SE44	100		180 min	Ni-MH	12 h	S.E.
59970	REPTOP-CS-150NM10SE44	150		60 min	Ni-MH	12 h	S.E.
59971	REPTOP-CS-150NM30SE44	150		180 min	Ni-MH	12 h	S.E.
59972	REPTOP-CS-250NM10SE44	250		60 min	Ni-MH	12 h	S.E.
59973	REPTOP-CS-250NM30SE44	250		180 min	Ni-MH	12 h	S.E.
59974	REPTOP-CS-300NM10SE44	300		60 min	Ni-MH	12 h	S.E.
59975	REPTOP-CS-300NM30SE44	300		180 min	Ni-MH	12 h	S.E.
59976	REPTOP-CS-400NM10SE44	400		60 min	Ni-MH	12 h	S.E.
59977	REPTOP-CS-400NM30SE44	400		180 min	Ni-MH	12 h	S.E.
59978	REPTOP-CS-500NM10SE44	500		60 min	Ni-MH	12 h	S.E.
59979	REPTOP-CS-500NM30SE44	500		180 min	Ni-MH	12 h	S.E.
59980	REPTOP-CS-600NM10SE44	600		60 min	Ni-MH	12 h	S.E.
59981	REPTOP-CS-600NM30SE44	600		180 min	Ni-MH	12 h	S.E.
59982	REPTOP-CS-800NM10SE44	800		60 min	Ni-MH	12 h	S.E.
59983	REPTOP-CS-800NM20SE44	800		120 min	Ni-MH	12 h	S.E.
59984	REPTOP-CS-1000NM10SE44	1000		60 min	Ni-MH	12 h	S.E.
59985	REPTOP-CS-1000NM20SE44	1000		120 min	Ni-MH	12 h	S.E.
59986	REPTOP-CS-1200LFP10SE44	1200		60 min	LiFePO4	12 h	S.E.
59987	REPTOP-CS-1200LFP20SE44	1200		120 min	LiFePO4	12 h	S.E.
61066	REPTOP-CS-1200LFP30SE44	1200		180 min	LiFePO4	12 h	S.E.
59671	REPTOP-CS-1300LFP10SE44	1300		60 min	LiFePO4	12 h	S.E.
59672	REPTOP-CS-1300LFP15SE44	1300		90 min	LiFePO4	12 h	S.E.
59673	REPTOP-CS-1300LFP20SE44	1300		120 min	LiFePO4	12 h	S.E.
59674	REPTOP-CS-1300LFP30SE44	1300		180 min	LiFePO4	12 h	S.E.
59675	REPTOP-CS-1500LFP10SE44	1500		60 min	LiFePO4	12 h	S.E.
59676	REPTOP-CS-1500LFP15SE44	1500		90 min	LiFePO4	12 h	S.E.
59677	REPTOP-CS-1500LFP20SE44	1500		120 min	LiFePO4	12 h	S.E.
59678	REPTOP-CS-1500LFP30SE44	1500		180 min	LiFePO4	12 h	S.E.
59679	REPTOP-CS-1600LFP10SE44	1600		60 min	LiFePO4	12 h	S.E.
59680	REPTOP-CS-1600LFP15SE44	1600		90 min	LiFePO4	12 h	S.E.
59681	REPTOP-CS-1600LFP20SE44	1600		120 min	LiFePO4	12 h	S.E.
59682	REPTOP-CS-1600LFP30SE44	1600		180 min	LiFePO4	12 h	S.E.
59683	REPTOP-CS-1800LFP10SE44	1800		60 min	LiFePO4	12 h	S.E.
59684	REPTOP-CS-1800LFP15SE44	1800		90 min	LiFePO4	12 h	S.E.
59685	REPTOP-CS-1800LFP20SE44	1800		120 min	LiFePO4	12 h	S.E.
59686	REPTOP-CS-2000LFP10SE44	2000		60 min	LiFePO4	12 h	S.E.
59687	REPTOP-CS-2000LFP15SE44	2000		90 min	LiFePO4	12 h	S.E.
59688	REPTOP-CS-2000LFP20SE44	2000		120 min	LiFePO4	12 h	S.E.

REPLAY TOP - CENTRAL SYSTEM S.E./S.A. IP44							
CODICE	ARTICOLO	LUMEN S.E.	LUMEN S.A.	AUTONOMIA	BATTERIA	TEMPO DI RICARICA	MODO
59988	REPTOP-CS-100NM10SESA44	100	100	60 min	Ni-MH	12 h	S.E./S.A.
59989	REPTOP-CS-100NM30SESA44	100	100	180 min	Ni-MH	12 h	S.E./S.A.
59990	REPTOP-CS-150NM10SESA44	150	150	60 min	Ni-MH	12 h	S.E./S.A.
59991	REPTOP-CS-150NM30SESA44	150	150	180 min	Ni-MH	12 h	S.E./S.A.
59992	REPTOP-CS-250NM10SESA44	250	250	60 min	Ni-MH	12 h	S.E./S.A.
59993	REPTOP-CS-250NM30SESA44	250	250	180 min	Ni-MH	12 h	S.E./S.A.
59994	REPTOP-CS-300NM10SESA44	300	300	60 min	Ni-MH	12 h	S.E./S.A.
59995	REPTOP-CS-300NM30SESA44	300	300	180 min	Ni-MH	12 h	S.E./S.A.
59996	REPTOP-CS-400NM10SESA44	400	400	60 min	Ni-MH	12 h	S.E./S.A.
59997	REPTOP-CS-400NM30SESA44	400	400	180 min	Ni-MH	12 h	S.E./S.A.
59998	REPTOP-CS-500NM10SESA44	500	500	60 min	Ni-MH	12 h	S.E./S.A.
59999	REPTOP-CS-500NM30SESA44	500	500	180 min	Ni-MH	12 h	S.E./S.A.
60000	REPTOP-CS-600NM10SESA44	600	600	60 min	Ni-MH	12 h	S.E./S.A.
60001	REPTOP-CS-600NM30SESA44	600	600	180 min	Ni-MH	12 h	S.E./S.A.
60002	REPTOP-CS-800NM10SESA44	800	800	60 min	Ni-MH	12 h	S.E./S.A.
60003	REPTOP-CS-800NM20SESA44	800	800	120 min	Ni-MH	12 h	S.E./S.A.
60004	REPTOP-CS-1000NM10SESA44	1000	1000	60 min	Ni-MH	12 h	S.E./S.A.
60005	REPTOP-CS-1000NM20SESA44	1000	1000	120 min	Ni-MH	12 h	S.E./S.A.
60006	REPTOP-CS-1200LFP10SESA44	1200	1200	60 min	LiFePO4	12 h	S.E./S.A.
60007	REPTOP-CS-1200LFP20SESA44	1200	1200	120 min	LiFePO4	12 h	S.E./S.A.
61067	REPTOP-CS-1200LFP30SESA44	1200	1200	180 min	LiFePO4	12 h	S.E./S.A.
59689	REPTOP-CS-1300LFP10SESA44	1300	1300	60 min	LiFePO4	12 h	S.E./S.A.
59690	REPTOP-CS-1300LFP15SESA44	1300	1300	90 min	LiFePO4	12 h	S.E./S.A.



59691	REPTOP-CS-1300LFP20SESA44	1300	1300	120 min	LiFePO4	12 h	S.E./S.A.
59692	REPTOP-CS-1300LFP30SESA44	1300	1300	180 min	LiFePO4	12 h	S.E./S.A.
59693	REPTOP-CS-1500LFP10SESA44	1500	1500	60 min	LiFePO4	12 h	S.E./S.A.
59694	REPTOP-CS-1500LFP15SESA44	1500	1500	90 min	LiFePO4	12 h	S.E./S.A.
59695	REPTOP-CS-1500LFP20SESA44	1500	1500	120 min	LiFePO4	12 h	S.E./S.A.
59696	REPTOP-CS-1500LFP30SESA44	1500	1500	180 min	LiFePO4	12 h	S.E./S.A.
59697	REPTOP-CS-1600LFP10SESA44	1600	1600	60 min	LiFePO4	12 h	S.E./S.A.
59698	REPTOP-CS-1600LFP15SESA44	1600	1600	90 min	LiFePO4	12 h	S.E./S.A.
59699	REPTOP-CS-1600LFP20SESA44	1600	1600	120 min	LiFePO4	12 h	S.E./S.A.
59700	REPTOP-CS-1600LFP30SESA44	1600	1600	180 min	LiFePO4	12 h	S.E./S.A.
59701	REPTOP-CS-1800LFP10SESA44	1800	1800	60 min	LiFePO4	12 h	S.E./S.A.
59702	REPTOP-CS-1800LFP15SESA44	1800	1800	90 min	LiFePO4	12 h	S.E./S.A.
59703	REPTOP-CS-1800LFP20SESA44	1800	1800	120 min	LiFePO4	12 h	S.E./S.A.
59704	REPTOP-CS-2000LFP10SESA44	2000	2000	60 min	LiFePO4	12 h	S.E./S.A.
59705	REPTOP-CS-2000LFP15SESA44	2000	2000	90 min	LiFePO4	12 h	S.E./S.A.
59706	REPTOP-CS-2000LFP20SESA44	2000	2000	120 min	LiFePO4	12 h	S.E./S.A.

## REPLAY TOP - CENTRAL SYSTEM S.E. IP65

CODICE	ARTICOLO	LUMEN S.E.		AUTONOMIA	BATTERIA	TEMPO DI RICARICA	MODO
60008	REPTOP-CS-100NM10SE65	100		60 min	Ni-MH	12 h	S.E.
60009	REPTOP-CS-100NM30SE65	100		180 min	Ni-MH	12 h	S.E.
60010	REPTOP-CS-150NM10SE65	150		60 min	Ni-MH	12 h	S.E.
60011	REPTOP-CS-150NM30SE65	150		180 min	Ni-MH	12 h	S.E.
60012	REPTOP-CS-250NM10SE65	250		60 min	Ni-MH	12 h	S.E.
60013	REPTOP-CS-250NM30SE65	250		180 min	Ni-MH	12 h	S.E.
60014	REPTOP-CS-300NM10SE65	300		60 min	Ni-MH	12 h	S.E.
60015	REPTOP-CS-300NM30SE65	300		180 min	Ni-MH	12 h	S.E.
60016	REPTOP-CS-400NM10SE65	400		60 min	Ni-MH	12 h	S.E.
60017	REPTOP-CS-400NM30SE65	400		180 min	Ni-MH	12 h	S.E.
60018	REPTOP-CS-500NM10SE65	500		60 min	Ni-MH	12 h	S.E.
60019	REPTOP-CS-500NM30SE65	500		180 min	Ni-MH	12 h	S.E.
60020	REPTOP-CS-600NM10SE65	600		60 min	Ni-MH	12 h	S.E.
60021	REPTOP-CS-600NM30SE65	600		180 min	Ni-MH	12 h	S.E.
60022	REPTOP-CS-800NM10SE65	800		60 min	Ni-MH	12 h	S.E.
60023	REPTOP-CS-800NM20SE65	800		120 min	Ni-MH	12 h	S.E.
60024	REPTOP-CS-1000NM10SE65	1000		60 min	Ni-MH	12 h	S.E.
60025	REPTOP-CS-1000NM20SE65	1000		120 min	Ni-MH	12 h	S.E.
60026	REPTOP-CS-1200LFP10SE65	1200		60 min	LiFePO4	12 h	S.E.
60027	REPTOP-CS-1200LFP20SE65	1200		120 min	LiFePO4	12 h	S.E.
61068	REPTOP-CS-1200LFP30SE65	1200		180 min	LiFePO4	12 h	S.E.
59707	REPTOP-CS-1300LFP10SE65	1300		60 min	LiFePO4	12 h	S.E.
59708	REPTOP-CS-1300LFP15SE65	1300		90 min	LiFePO4	12 h	S.E.
59709	REPTOP-CS-1300LFP20SE65	1300		120 min	LiFePO4	12 h	S.E.
59710	REPTOP-CS-1300LFP30SE65	1300		180 min	LiFePO4	12 h	S.E.
59711	REPTOP-CS-1500LFP10SE65	1500		60 min	LiFePO4	12 h	S.E.
59712	REPTOP-CS-1500LFP15SE65	1500		90 min	LiFePO4	12 h	S.E.
59713	REPTOP-CS-1500LFP20SE65	1500		120 min	LiFePO4	12 h	S.E.
59714	REPTOP-CS-1500LFP30SE65	1500		180 min	LiFePO4	12 h	S.E.
59715	REPTOP-CS-1600LFP10SE65	1600		60 min	LiFePO4	12 h	S.E.
59716	REPTOP-CS-1600LFP15SE65	1600		90 min	LiFePO4	12 h	S.E.
59717	REPTOP-CS-1600LFP20SE65	1600		120 min	LiFePO4	12 h	S.E.
59718	REPTOP-CS-1600LFP30SE65	1600		180 min	LiFePO4	12 h	S.E.
59719	REPTOP-CS-1800LFP10SE65	1800		60 min	LiFePO4	12 h	S.E.
59720	REPTOP-CS-1800LFP15SE65	1800		90 min	LiFePO4	12 h	S.E.
59721	REPTOP-CS-1800LFP20SE65	1800		120 min	LiFePO4	12 h	S.E.
59722	REPTOP-CS-2000LFP10SE65	2000		60 min	LiFePO4	12 h	S.E.
59723	REPTOP-CS-2000LFP15SE65	2000		90 min	LiFePO4	12 h	S.E.
59724	REPTOP-CS-2000LFP20SE65	2000		120 min	LiFePO4	12 h	S.E.

## REPLAY TOP - CENTRAL SYSTEM S.E./S.A. IP65

CODICE	ARTICOLO	LUMEN S.E.	LUMEN S.A.	AUTONOMIA	BATTERIA	TEMPO DI RICARICA	MODO
60028	REPTOP-CS-100NM10SESA65	100	100	60 min	Ni-MH	12 h	S.E./S.A.
60029	REPTOP-CS-100NM30SESA65	100	100	180 min	Ni-MH	12 h	S.E./S.A.
60030	REPTOP-CS-150NM10SESA65	150	150	60 min	Ni-MH	12 h	S.E./S.A.
60031	REPTOP-CS-150NM30SESA65	150	150	180 min	Ni-MH	12 h	S.E./S.A.
60032	REPTOP-CS-250NM10SESA65	250	250	60 min	Ni-MH	12 h	S.E./S.A.
60033	REPTOP-CS-250NM30SESA65	250	250	180 min	Ni-MH	12 h	S.E./S.A.
60034	REPTOP-CS-300NM10SESA65	300	300	60 min	Ni-MH	12 h	S.E./S.A.

60035	REPTOP-CS-300NM30SESA65	300	300	180 min	Ni-MH	12 h	S.E./S.A.
60036	REPTOP-CS-400NM10SESA65	400	400	60 min	Ni-MH	12 h	S.E./S.A.
60037	REPTOP-CS-400NM30SESA65	400	400	180 min	Ni-MH	12 h	S.E./S.A.
60038	REPTOP-CS-500NM10SESA65	500	500	60 min	Ni-MH	12 h	S.E./S.A.
60039	REPTOP-CS-500NM30SESA65	500	500	180 min	Ni-MH	12 h	S.E./S.A.
60040	REPTOP-CS-600NM10SESA65	600	600	60 min	Ni-MH	12 h	S.E./S.A.
60041	REPTOP-CS-600NM30SESA65	600	600	180 min	Ni-MH	12 h	S.E./S.A.
60042	REPTOP-CS-800NM10SESA65	800	800	60 min	Ni-MH	12 h	S.E./S.A.
60043	REPTOP-CS-800NM20SESA65	800	800	120 min	Ni-MH	12 h	S.E./S.A.
60044	REPTOP-CS-1000NM10SESA65	1000	1000	60 min	Ni-MH	12 h	S.E./S.A.
60045	REPTOP-CS-1000NM20SESA65	1000	1000	120 min	Ni-MH	12 h	S.E./S.A.
60046	REPTOP-CS-1200LFP10SESA65	1200	1200	60 min	LiFePO4	12 h	S.E./S.A.
60047	REPTOP-CS-1200LFP20SESA65	1200	1200	120 min	LiFePO4	12 h	S.E./S.A.
61069	REPTOP-CS-1200LFP30SESA65	1200	1200	180 min	LiFePO4	12 h	S.E./S.A.
59725	REPTOP-CS-1300LFP10SESA65	1300	1300	60 min	LiFePO4	12 h	S.E./S.A.
59726	REPTOP-CS-1300LFP15SESA65	1300	1300	90 min	LiFePO4	12 h	S.E./S.A.
59727	REPTOP-CS-1300LFP20SESA65	1300	1300	120 min	LiFePO4	12 h	S.E./S.A.
59728	REPTOP-CS-1300LFP30SESA65	1300	1300	180 min	LiFePO4	12 h	S.E./S.A.
59729	REPTOP-CS-1500LFP10SESA65	1500	1500	60 min	LiFePO4	12 h	S.E./S.A.
59730	REPTOP-CS-1500LFP15SESA65	1500	1500	90 min	LiFePO4	12 h	S.E./S.A.
59731	REPTOP-CS-1500LFP20SESA65	1500	1500	120 min	LiFePO4	12 h	S.E./S.A.
59732	REPTOP-CS-1500LFP30SESA65	1500	1500	180 min	LiFePO4	12 h	S.E./S.A.
59733	REPTOP-CS-1600LFP10SESA65	1600	1600	60 min	LiFePO4	12 h	S.E./S.A.
59734	REPTOP-CS-1600LFP15SESA65	1600	1600	90 min	LiFePO4	12 h	S.E./S.A.
59735	REPTOP-CS-1600LFP20SESA65	1600	1600	120 min	LiFePO4	12 h	S.E./S.A.
59736	REPTOP-CS-1600LFP30SESA65	1600	1600	180 min	LiFePO4	12 h	S.E./S.A.
59737	REPTOP-CS-1800LFP10SESA65	1800	1800	60 min	LiFePO4	12 h	S.E./S.A.
59738	REPTOP-CS-1800LFP15SESA65	1800	1800	90 min	LiFePO4	12 h	S.E./S.A.
59739	REPTOP-CS-1800LFP20SESA65	1800	1800	120 min	LiFePO4	12 h	S.E./S.A.
59740	REPTOP-CS-2000LFP10SESA65	2000	2000	60 min	LiFePO4	12 h	S.E./S.A.
59741	REPTOP-CS-2000LFP15SESA65	2000	2000	90 min	LiFePO4	12 h	S.E./S.A.
59742	REPTOP-CS-2000LFP20SESA65	2000	2000	120 min	LiFePO4	12 h	S.E./S.A.

## REPLAY TOP - S.O.S. GROUND SYSTEM IP44

CODICE	ARTICOLO	LUMEN	ALIMENTAZIONE			
60048	REPTOP-SOS100-230-44	100	230V			
60049	REPTOP-SOS150-230-44	150	230V			
60050	REPTOP-SOS200-230-44	200	230V			
60051	REPTOP-SOS300-230-44	300	230V			
60052	REPTOP-SOS400-230-44	400	230V			
60053	REPTOP-SOS500-230-44	500	230V			
60054	REPTOP-SOS600-230-44	600	230V			
60055	REPTOP-SOS800-230-44	800	230V			
60056	REPTOP-SOS1000-230-44	1000	230V			
60057	REPTOP-SOS1200-230-44	1200	230V			
59743	REPTOP-SOS1300-230-44	1300	230V			
59744	REPTOP-SOS1500-230-44	1500	230V			
59745	REPTOP-SOS1600-230-44	1600	230V			
59746	REPTOP-SOS1800-230-44	1800	230V			
59747	REPTOP-SOS2000-230-44	2000	230V			

## REPLAY TOP - S.O.S. GROUND SYSTEM IP65

CODICE	ARTICOLO	LUMEN	ALIMENTAZIONE			
60058	REPTOP-SOS100-230-65	100	230V			
60059	REPTOP-SOS150-230-65	150	230V			
60060	REPTOP-SOS200-230-65	200	230V			
60061	REPTOP-SOS300-230-65	300	230V			
60062	REPTOP-SOS400-230-65	400	230V			
60063	REPTOP-SOS500-230-65	500	230V			
60064	REPTOP-SOS600-230-65	600	230V			
60065	REPTOP-SOS800-230-65	800	230V			
60066	REPTOP-SOS1000-230-65	1000	230V			
60067	REPTOP-SOS1200-230-65	1200	230V			
59748	REPTOP-SOS1300-230-65	1300	230V			
59749	REPTOP-SOS1500-230-65	1500	230V			
59750	REPTOP-SOS1600-230-65	1600	230V			
59751	REPTOP-SOS1800-230-65	1800	230V			
59752	REPTOP-SOS2000-230-65	2000	230V			

REPLAY TOP - S.O.S. SYSTEM 24V IP44						
CODICE	ARTICOLO	LUMEN	ALIMENTAZIONE			
60068	REPTOP-SOS100-24-44	100	24V			
60069	REPTOP-SOS150-24-44	150	24V			
60070	REPTOP-SOS200-24-44	200	24V			
60071	REPTOP-SOS300-24-44	300	24V			
60072	REPTOP-SOS400-24-44	400	24V			
60073	REPTOP-SOS500-24-44	500	24V			
60074	REPTOP-SOS600-24-44	600	24V			
60075	REPTOP-SOS800-24-44	800	24V			
60076	REPTOP-SOS1000-24-44	1000	24V			
60077	REPTOP-SOS1200-24-44	1200	24V			
59753	REPTOP-SOS1300-24-44	1300	24V			
59754	REPTOP-SOS1500-24-44	1500	24V			
59755	REPTOP-SOS1600-24-44	1600	24V			
59756	REPTOP-SOS1800-24-44	1800	24V			
59757	REPTOP-SOS2000-24-44	2000	24V			
REPLAY TOP - S.O.S. SYSTEM 24V IP65						
CODICE	ARTICOLO	LUMEN	ALIMENTAZIONE			
60078	REPTOP-SOS100-24-65	100	24V			
60079	REPTOP-SOS150-24-65	150	24V			
60080	REPTOP-SOS200-24-65	200	24V			
60081	REPTOP-SOS300-24-65	300	24V			
60082	REPTOP-SOS400-24-65	400	24V			
60083	REPTOP-SOS500-24-65	500	24V			
60084	REPTOP-SOS600-24-65	600	24V			
60085	REPTOP-SOS800-24-65	800	24V			
60086	REPTOP-SOS1000-24-65	1000	24V			
60087	REPTOP-SOS1200-24-65	1200	24V			
59758	REPTOP-SOS1300-24-65	1300	24V			
59759	REPTOP-SOS1500-24-65	1500	24V			
59760	REPTOP-SOS1600-24-65	1600	24V			
59761	REPTOP-SOS1800-24-65	1800	24V			
59762	REPTOP-SOS2000-24-65	2000	24V			
REPLAY TOP - S.O.S. SYSTEM 48V IP44						
CODICE	ARTICOLO	LUMEN	ALIMENTAZIONE			
60088	REPTOP-SOS100-48-44	100	48V			
60089	REPTOP-SOS150-48-44	150	48V			
60090	REPTOP-SOS200-48-44	200	48V			
60091	REPTOP-SOS300-48-44	300	48V			
60092	REPTOP-SOS400-48-44	400	48V			
60093	REPTOP-SOS500-48-44	500	48V			
60094	REPTOP-SOS600-48-44	600	48V			
60095	REPTOP-SOS800-48-44	800	48V			
60096	REPTOP-SOS1000-48-44	1000	48V			
60097	REPTOP-SOS1200-48-44	1200	48V			
59763	REPTOP-SOS1300-48-44	1300	48V			
59764	REPTOP-SOS1500-48-44	1500	48V			
59765	REPTOP-SOS1600-48-44	1600	48V			
59766	REPTOP-SOS1800-48-44	1800	48V			
59767	REPTOP-SOS2000-48-44	2000	48V			
REPLAY TOP - S.O.S. SYSTEM 48V IP65						
CODICE	ARTICOLO	LUMEN	ALIMENTAZIONE			
60098	REPTOP-SOS100-48-65	100	48V			
60099	REPTOP-SOS150-48-65	150	48V			
60100	REPTOP-SOS200-48-65	200	48V			
60101	REPTOP-SOS300-48-65	300	48V			
60102	REPTOP-SOS400-48-65	400	48V			
60103	REPTOP-SOS500-48-65	500	48V			
60104	REPTOP-SOS600-48-65	600	48V			
60105	REPTOP-SOS800-48-65	800	48V			
60106	REPTOP-SOS1000-48-65	1000	48V			
60107	REPTOP-SOS1200-48-65	1200	48V			
59768	REPTOP-SOS1300-48-65	1300	48V			
59769	REPTOP-SOS1500-48-65	1500	48V			
59770	REPTOP-SOS1600-48-65	1600	48V			

59771	REPTOP-SOS1800-48-65	1800	48V		
59772	REPTOP-SOS2000-48-65	2000	48V		
<b>REPLAY TOP - SOLOLUCE 12-24V IP44</b>					
CODICE	ARTICOLO	LUMEN	ALIMENTAZIONE		
60108	REPTOP-SL100-12-24-44	100	12-24V		
60109	REPTOP-SL150-12-24-44	150	12-24V		
60110	REPTOP-SL200-12-24-44	200	12-24V		
60111	REPTOP-SL300-12-24-44	300	12-24V		
60112	REPTOP-SL400-12-24-44	400	12-24V		
60113	REPTOP-SL500-12-24-44	500	12-24V		
60114	REPTOP-SL600-12-24-44	600	12-24V		
60115	REPTOP-SL800-12-24-44	800	12-24V		
60116	REPTOP-SL1000-12-24-44	1000	12-24V		
60117	REPTOP-SL1200-12-24-44	1200	12-24V		
59773	REPTOP-SL1300-12-24-44	1300	12-24V		
59774	REPTOP-SL1500-12-24-44	1500	12-24V		
59775	REPTOP-SL1600-12-24-44	1600	12-24V		
59776	REPTOP-SL1800-12-24-44	1800	12-24V		
59777	REPTOP-SL2000-12-24-44	2000	12-24V		
<b>REPLAY TOP - SOLOLUCE 12-24V IP65</b>					
CODICE	ARTICOLO	LUMEN	ALIMENTAZIONE		
60118	REPTOP-SL100-12-24-65	100	12-24V		
60119	REPTOP-SL150-12-24-65	150	12-24V		
60120	REPTOP-SL200-12-24-65	200	12-24V		
60121	REPTOP-SL300-12-24-65	300	12-24V		
60122	REPTOP-SL400-12-24-65	400	12-24V		
60123	REPTOP-SL500-12-24-65	500	12-24V		
60124	REPTOP-SL600-12-24-65	600	12-24V		
60125	REPTOP-SL800-12-24-65	800	12-24V		
60126	REPTOP-SL1000-12-24-65	1000	12-24V		
60127	REPTOP-SL1200-12-24-65	1200	12-24V		
59778	REPTOP-SL1300-12-24-65	1300	12-24V		
59779	REPTOP-SL1500-12-24-65	1500	12-24V		
59780	REPTOP-SL1600-12-24-65	1600	12-24V		
59781	REPTOP-SL1800-12-24-65	1800	12-24V		
59782	REPTOP-SL2000-12-24-65	2000	12-24V		
<b>REPLAY TOP - SOLOLUCE 230V IP44</b>					
CODICE	ARTICOLO	LUMEN	ALIMENTAZIONE		
60128	REPTOP-SL100-230-44	100	230V		
60129	REPTOP-SL150-230-44	150	230V		
60130	REPTOP-SL200-230-44	200	230V		
60131	REPTOP-SL300-230-44	300	230V		
60132	REPTOP-SL400-230-44	400	230V		
60133	REPTOP-SL500-230-44	500	230V		
60134	REPTOP-SL600-230-44	600	230V		
60135	REPTOP-SL800-230-44	800	230V		
60136	REPTOP-SL1000-230-44	1000	230V		
60137	REPTOP-SL1200-230-44	1200	230V		
59783	REPTOP-SL1300-230-44	1300	230V		
59784	REPTOP-SL1500-230-44	1500	230V		
59785	REPTOP-SL1600-230-44	1600	230V		
59786	REPTOP-SL1800-230-44	1800	230V		
59787	REPTOP-SL2000-230-44	2000	230V		
<b>REPLAY TOP - SOLOLUCE 230V IP65</b>					
CODICE	ARTICOLO	LUMEN	ALIMENTAZIONE		
60138	REPTOP-SL100-230-65	100	230V		
60139	REPTOP-SL150-230-65	150	230V		
60140	REPTOP-SL200-230-65	200	230V		
60141	REPTOP-SL300-230-65	300	230V		
60142	REPTOP-SL400-230-65	400	230V		
60143	REPTOP-SL500-230-65	500	230V		
60144	REPTOP-SL600-230-65	600	230V		
60145	REPTOP-SL800-230-65	800	230V		
60146	REPTOP-SL1000-230-65	1000	230V		
60147	REPTOP-SL1200-230-65	1200	230V		
59788	REPTOP-SL1300-230-65	1300	230V		
59789	REPTOP-SL1500-230-65	1500	230V		
59790	REPTOP-SL1600-230-65	1600	230V		
59791	REPTOP-SL1800-230-65	1800	230V		
59792	REPTOP-SL2000-230-65	2000	230V		