

REPLAY LED



IDEALE PER INSTALLAZIONI IN AMBIENTI COME:

- SCUOLE
- OSPEDALI
- INDUSTRIE
- UFFICI

CARATTERISTICHE PRINCIPALI:



Resistente (IK08)



Ampia gamma
da 150 a 1200 lumen



Adatta per interni ed
esterni (IP44 o IP65)

REPLAY LED

Fabbricazione elettronica italiana al 100%
100% Italian electronics manufacturing

Alimentazione 230Vca-50Hz
230Vca-50Hz input Power

Grado di protezione IP44 o IP65
IP44 or IP65 protection degree

Grado di resistenza agli urti IK08
IK08 shock resistance degree

Materiale corpo in Bayblend® (PC+ABS) autoestinguente V0
Self-extinguishing (V0) Bayblend® (PC+ABS) body material

Materiale diffusore in policarbonato cristallo autoestinguente V0
Self-extinguishing (V0) crystal polycarbonate reflector material

Temperatura operativa 0°C / +40°C
0°C / +40°C working temperature

Glow wire test 960°C (2.0mm)
960°C (2.0mm) glow wire test

Tipo di funzionamento S.E. o S.E./S.A.
NOT PERMANENT or PERMANENT functioning

Autonomia da 60 a 180 minuti
From 60 to 180 minutes autonomy

Tempo di ricarica 12 ore
12 hours recharging time

Montaggio a parete o ad incasso tramite WALLBOX 01 (cod.07742)
Wall mounting or recessed wall mounting by WALLBOX 01 (cod.07742)

Batteria Ni-MH ricaricabile, garantita 24 mesi
Rechargeable Ni-MH battery, 24 months warranty

Ricarica della batteria a corrente costante
Battery recharging at constant rated current

Protezione della batteria a scarica completa
Battery protection at full discharging

LED verde spia presenza rete
Green LED power ON

Fonte luminosa LED Alta efficienza
High efficiency LED Light source

Gamma flusso luminoso nominale da 150 a 1200 Lumen
Luminous flux range from 150 to 1200 Lumen

Resa cromatica (CRI) 80
80 colour rendering index

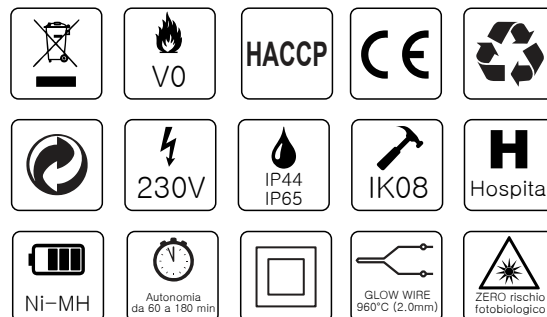
Temperatura colore 5000K
5000K colour temperature

Zero rischio fotobiologico secondo EN62471
Photobiological no-risk according to EN62471

Garanzia sulla fonte luminosa LED di 10 anni
10 years warranty on LED light source

Conforme alle normative vigenti:
Complies with current Standards:

- EN 61547 • EN 1838 • EN 60598-2-22 • EN 62471 • EN 55015, Classe B
- EN 60598-1 • EN 61347-2-7 • EN 62034 (Autotesting Version)



Dimensioni

Dimension

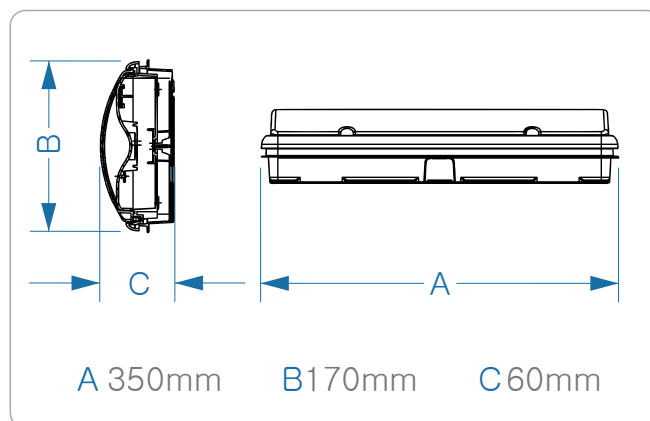
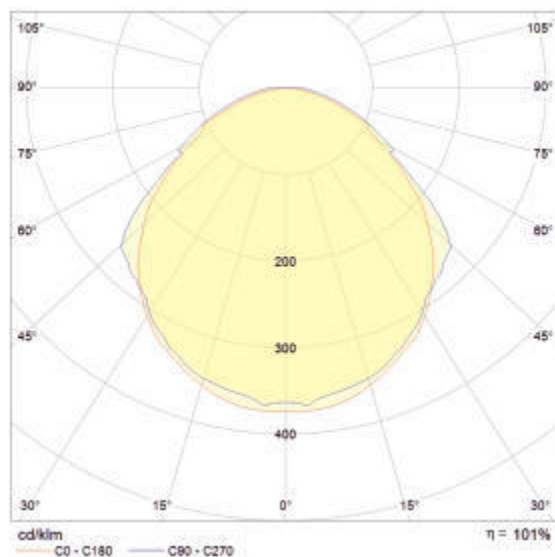


Diagramma polare

Polar diagram



REPLAY LED - STANDARD S.E. IP44							
CODICE	ARTICOLO	LUMEN S.E.		AUTONOMIA	BATTERIA	TEMPO DI RICARICA	MODO
07652	REP150NM10SE44	150		60 min	Ni-Mh	12 h	S.E.
07331	REP150NM15SE44	150		90 min	Ni-Mh	12 h	S.E.
07653	REP150NM30SE44	150		180 min	Ni-Mh	12 h	S.E.
07700	REP200NM10SE44	200		60 min	Ni-Mh	12 h	S.E.
07332	REP200NM15SE44	200		90 min	Ni-Mh	12 h	S.E.
07701	REP200NM30SE44	200		180 min	Ni-Mh	12 h	S.E.
07703	REP250NM10SE44	250		60 min	Ni-Mh	12 h	S.E.
07333	REP250NM15SE44	250		90 min	Ni-Mh	12 h	S.E.
07704	REP250NM30SE44	250		180 min	Ni-Mh	12 h	S.E.
07705	REP400NM15SE44	400		90 min	Ni-Mh	12 h	S.E.
07706	REP400NM30SE44	400		180 min	Ni-Mh	12 h	S.E.
54016	REP500NM15SE44	500		90 min	Ni-Mh	12 h	S.E.
54017	REP500NM30SE44	500		180 min	Ni-Mh	12 h	S.E.
07913	REH600NM15SE44	600		90 min	Ni-Mh	12 h	S.E.
07914	REH600NM30SE44	600		180 min	Ni-Mh	12 h	S.E.
07915	REH800NM15SE44	800		90 min	Ni-Mh	12 h	S.E.
07916	REH800NM20SE44	800		120 min	Ni-Mh	12 h	S.E.
07917	REH900NM15SE44	900		90 min	Ni-Mh	12 h	S.E.
07918	REH900NM20SE44	900		120 min	Ni-Mh	12 h	S.E.
07919	REH1200NM10SE44	1200		60 min	Ni-Mh	12 h	S.E.
07325	REH1200NM15SE44	1200		90 min	Ni-Mh	12 h	S.E.
07920	REH1200NM20SE44	1200		120 min	Ni-Mh	12 h	S.E.
REPLAY LED - STANDARD S.E./S.A. IP44							
CODICE	ARTICOLO	LUMEN S.E.	LUMEN S.A.	AUTONOMIA	BATTERIA	TEMPO DI RICARICA	MODO
07655	REP150NM10SESA44	150	150	60 min	Ni-Mh	12 h	S.E./S.A.
07334	REP150NM15SESA44	150	150	90 min	Ni-Mh	12 h	S.E./S.A.
07656	REP150NM30SESA44	150	150	180 min	Ni-Mh	12 h	S.E./S.A.
07711	REP200NM10SESA44	200	200	60 min	Ni-Mh	12 h	S.E./S.A.
07335	REP200NM15SESA44	200	200	90 min	Ni-Mh	12 h	S.E./S.A.
07712	REP200NM30SESA44	200	200	180 min	Ni-Mh	12 h	S.E./S.A.
07713	REP250NM10SESA44	250	250	60 min	Ni-Mh	12 h	S.E./S.A.
07336	REP250NM15SESA44	250	250	90 min	Ni-Mh	12 h	S.E./S.A.
07714	REP250NM30SESA44	250	250	180 min	Ni-Mh	12 h	S.E./S.A.
07715	REP400NM15SESA44	400	400	90 min	Ni-Mh	12 h	S.E./S.A.
07716	REP400NM30SESA44	400	400	180 min	Ni-Mh	12 h	S.E./S.A.
54018	REP500NM15SESA44	500	500	90 min	Ni-Mh	12 h	S.E./S.A.
54019	REP500NM30SESA44	500	500	180 min	Ni-Mh	12 h	S.E./S.A.
07923	REH600NM15SESA44	600	600	90 min	Ni-Mh	12 h	S.E./S.A.
07924	REH600NM30SESA44	600	600	180 min	Ni-Mh	12 h	S.E./S.A.
07925	REH800NM15SESA44	800	800	90 min	Ni-Mh	12 h	S.E./S.A.
07926	REH800NM20SESA44	800	800	120 min	Ni-Mh	12 h	S.E./S.A.
07927	REH900NM15SESA44	900	900	90 min	Ni-Mh	12 h	S.E./S.A.
07928	REH900NM20SESA44	900	900	120 min	Ni-Mh	12 h	S.E./S.A.
07929	REH1200NM10SESA44	1200	1000	60 min	Ni-Mh	12 h	S.E./S.A.
07327	REH1200NM15SESA44	1200	1000	90 min	Ni-Mh	12 h	S.E./S.A.
07930	REH1200NM20SESA44	1200	1000	120 min	Ni-Mh	12 h	S.E./S.A.
REPLAY LED - STANDARD S.E. IP65							
CODICE	ARTICOLO	LUMEN S.E.		AUTONOMIA	BATTERIA	TEMPO DI RICARICA	MODO
07658	REP150NM10SE65	150		60 min	Ni-Mh	12 h	S.E.
07337	REP150NM15SE65	150		90 min	Ni-Mh	12 h	S.E.
07659	REP150NM30SE65	150		180 min	Ni-Mh	12 h	S.E.
07721	REP200NM10SE65	200		60 min	Ni-Mh	12 h	S.E.
07338	REP200NM15SE65	200		90 min	Ni-Mh	12 h	S.E.
07722	REP200NM30SE65	200		180 min	Ni-Mh	12 h	S.E.
07724	REP250NM10SE65	250		60 min	Ni-Mh	12 h	S.E.
07339	REP250NM15SE65	250		90 min	Ni-Mh	12 h	S.E.
07725	REP250NM30SE65	250		180 min	Ni-Mh	12 h	S.E.
07726	REP400NM15SE65	400		90 min	Ni-Mh	12 h	S.E.
07727	REP400NM30SE65	400		180 min	Ni-Mh	12 h	S.E.
54020	REP500NM15SE65	500		90 min	Ni-Mh	12 h	S.E.
54021	REP500NM30SE65	500		180 min	Ni-Mh	12 h	S.E.
07948	REH600NM15SE65	600		90 min	Ni-Mh	12 h	S.E.
07949	REH600NM30SE65	600		180 min	Ni-Mh	12 h	S.E.

07950	REH800NM15SE65	800		90 min	Ni-Mh	12 h	S.E.
07951	REH800NM20SE65	800		120 min	Ni-Mh	12 h	S.E.
07952	REH900NM15SE65	900		90 min	Ni-Mh	12 h	S.E.
07953	REH900NM20SE65	900		120 min	Ni-Mh	12 h	S.E.
07954	REH1200NM10SE65	1200		60 min	Ni-Mh	12 h	S.E.
07312	REH1200NM15SE65	1200		90 min	Ni-Mh	12 h	S.E.
07955	REH1200NM20SE65	1200		120 min	Ni-Mh	12 h	S.E.

REPLAY LED - STANDARD S.E./S.A. IP65

CODICE	ARTICOLO	LUMEN S.E.	LUMEN S.A.	AUTONOMIA	BATTERIA	TEMPO DI RICARICA	MODO
07661	REP150NM10SESA65	150	150	60 min	Ni-Mh	12 h	S.E./S.A.
07321	REP150NM15SESA65	150	150	90 min	Ni-Mh	12 h	S.E./S.A.
07662	REP150NM30SESA65	150	150	180 min	Ni-Mh	12 h	S.E./S.A.
07732	REP200NM10SESA65	200	200	60 min	Ni-Mh	12 h	S.E./S.A.
07322	REP200NM15SESA65	200	200	90 min	Ni-Mh	12 h	S.E./S.A.
07733	REP200NM30SESA65	200	200	180 min	Ni-Mh	12 h	S.E./S.A.
07734	REP250NM10SESA65	250	250	60 min	Ni-Mh	12 h	S.E./S.A.
07323	REP250NM15SESA65	250	250	90 min	Ni-Mh	12 h	S.E./S.A.
07735	REP250NM30SESA65	250	250	180 min	Ni-Mh	12 h	S.E./S.A.
07736	REP400NM15SESA65	400	400	90 min	Ni-Mh	12 h	S.E./S.A.
07737	REP400NM30SESA65	400	400	180 min	Ni-Mh	12 h	S.E./S.A.
54022	REP500NM15SESA65	500	500	90 min	Ni-Mh	12 h	S.E./S.A.
54023	REP500NM30SESA65	500	500	180 min	Ni-Mh	12 h	S.E./S.A.
07958	REH600NM15SESA65	600	600	90 min	Ni-Mh	12 h	S.E./S.A.
07959	REH600NM30SESA65	600	600	180 min	Ni-Mh	12 h	S.E./S.A.
07960	REH800NM15SESA65	800	800	90 min	Ni-Mh	12 h	S.E./S.A.
07961	REH800NM20SESA65	800	800	120 min	Ni-Mh	12 h	S.E./S.A.
07962	REH900NM15SESA65	900	900	90 min	Ni-Mh	12 h	S.E./S.A.
07963	REH900NM20SESA65	900	900	120 min	Ni-Mh	12 h	S.E./S.A.
07964	REH1200NM10SESA65	1200	1000	60 min	Ni-Mh	12 h	S.E./S.A.
07314	REH1200NM15SESA65	1200	1000	90 min	Ni-Mh	12 h	S.E./S.A.
07965	REH1200NM20SESA65	1200	1000	120 min	Ni-Mh	12 h	S.E./S.A.

REPLAY LED - AUTOTESTING S.E. IP44

CODICE	ARTICOLO	LUMEN S.E.	LUMEN S.A.	AUTONOMIA	BATTERIA	TEMPO DI RICARICA	MODO
07093	RET150NM10SE44	150		60 min	Ni-Mh	12 h	S.E.
07094	RET150NM15SE44	150		90 min	Ni-Mh	12 h	S.E.
07095	RET150NM30SE44	150		180 min	Ni-Mh	12 h	S.E.
07096	RET200NM10SE44	200		60 min	Ni-Mh	12 h	S.E.
07097	RET200NM15SE44	200		90 min	Ni-Mh	12 h	S.E.
07098	RET200NM30SE44	200		180 min	Ni-Mh	12 h	S.E.
07842	RET300NM10SE44	300		60 min	Ni-Mh	12 h	S.E.
04553	RET300NM15SE44	300		90 min	Ni-Mh	12 h	S.E.
07843	RET300NM30SE44	300		180 min	Ni-Mh	12 h	S.E.
10704	RET400NM15SE44	400		90 min	Ni-Mh	12 h	S.E.
10705	RET400NM30SE44	400		180 min	Ni-Mh	12 h	S.E.
10706	RET500NM15SE44	500		90 min	Ni-Mh	12 h	S.E.
10707	RET500NM30SE44	500		180 min	Ni-Mh	12 h	S.E.
07845	RET600NM15SE44	600		90 min	Ni-Mh	12 h	S.E.
07846	RET600NM30SE44	600		180 min	Ni-Mh	12 h	S.E.
07847	RET800NM15SE44	800		90 min	Ni-Mh	12 h	S.E.
07848	RET800NM20SE44	800		120 min	Ni-Mh	12 h	S.E.
07849	RET900NM15SE44	900		90 min	Ni-Mh	12 h	S.E.
07850	RET900NM20SE44	900		120 min	Ni-Mh	12 h	S.E.
07851	RET1200NM10SE44	1200		60 min	Ni-Mh	12 h	S.E.
04554	RET1200NM15SE44	1200		90 min	Ni-Mh	12 h	S.E.
07852	RET1200NM20SE44	1200		120 min	Ni-Mh	12 h	S.E.

REPLAY LED - AUTOTESTING S.E./S.A. IP44

CODICE	ARTICOLO	LUMEN S.E.	LUMEN S.A.	AUTONOMIA	BATTERIA	TEMPO DI RICARICA	MODO
07108	RET150NM10SESA44	150	150	60 min	Ni-Mh	12 h	S.E./S.A.
07109	RET150NM15SESA44	150	150	90 min	Ni-Mh	12 h	S.E./S.A.
07118	RET150NM30SESA44	150	150	180 min	Ni-Mh	12 h	S.E./S.A.
07102	RET200NM10SESA44	200	200	60 min	Ni-Mh	12 h	S.E./S.A.
07103	RET200NM15SESA44	200	200	90 min	Ni-Mh	12 h	S.E./S.A.
07104	RET200NM30SESA44	200	200	180 min	Ni-Mh	12 h	S.E./S.A.
07853	RET300NM10SESA44	300	250	60 min	Ni-Mh	12 h	S.E./S.A.
04526	RET300NM15SESA44	300	250	90 min	Ni-Mh	12 h	S.E./S.A.

07854	RET300NM30SESA44	300	250	180 min	Ni-Mh	12 h	S.E./S.A.
10721	RET400NM15SESA44	400	400	90 min	Ni-Mh	12 h	S.E./S.A.
10722	RET400NM30SESA44	400	400	180 min	Ni-Mh	12 h	S.E./S.A.
10723	RET500NM15SESA44	500	500	90 min	Ni-Mh	12 h	S.E./S.A.
10724	RET500NM30SESA44	500	500	180 min	Ni-Mh	12 h	S.E./S.A.
07855	RET600NM15SESA44	600	600	90 min	Ni-Mh	12 h	S.E./S.A.
07856	RET600NM30SESA44	600	600	180 min	Ni-Mh	12 h	S.E./S.A.
07857	RET800NM15SESA44	800	800	90 min	Ni-Mh	12 h	S.E./S.A.
07858	RET800NM20SESA44	800	800	120 min	Ni-Mh	12 h	S.E./S.A.
07859	RET900NM15SESA44	900	900	90 min	Ni-Mh	12 h	S.E./S.A.
07860	RET900NM20SESA44	900	900	120 min	Ni-Mh	12 h	S.E./S.A.
07861	RET1200NM10SESA44	1200	1000	60 min	Ni-Mh	12 h	S.E./S.A.
04527	RET1200NM15SESA44	1200	1000	90 min	Ni-Mh	12 h	S.E./S.A.
07862	RET1200NM20SESA44	1200	1000	120 min	Ni-Mh	12 h	S.E./S.A.

REPLAY LED - AUTOTESTING S.E. IP65

CODICE	ARTICOLO	LUMEN S.E.		AUTONOMIA	BATTERIA	TEMPO DI RICARICA	MODO
07119	RET150NM10SE65	150		60 min	Ni-Mh	12 h	S.E.
07121	RET150NM15SE65	150		90 min	Ni-Mh	12 h	S.E.
07133	RET150NM30SE65	150		180 min	Ni-Mh	12 h	S.E.
07099	RET200NM10SE65	200		60 min	Ni-Mh	12 h	S.E.
07100	RET200NM15SE65	200		90 min	Ni-Mh	12 h	S.E.
07101	RET200NM30SE65	200		180 min	Ni-Mh	12 h	S.E.
07863	RET300NM10SE65	300		60 min	Ni-Mh	12 h	S.E.
04522	RET300NM15SE65	300		90 min	Ni-Mh	12 h	S.E.
07864	RET300NM30SE65	300		180 min	Ni-Mh	12 h	S.E.
10714	RET400NM15SE65	400		90 min	Ni-Mh	12 h	S.E.
10715	RET400NM30SE65	400		180 min	Ni-Mh	12 h	S.E.
10716	RET500NM15SE65	500		90 min	Ni-Mh	12 h	S.E.
10717	RET500NM30SE65	500		180 min	Ni-Mh	12 h	S.E.
07866	RET600NM15SE65	600		90 min	Ni-Mh	12 h	S.E.
07867	RET600NM30SE65	600		180 min	Ni-Mh	12 h	S.E.
07868	RET800NM15SE65	800		90 min	Ni-Mh	12 h	S.E.
07869	RET800NM20SE65	800		120 min	Ni-Mh	12 h	S.E.
07870	RET900NM15SE65	900		90 min	Ni-Mh	12 h	S.E.
07871	RET900NM20SE65	900		120 min	Ni-Mh	12 h	S.E.
07872	RET1200NM10SE65	1200		60 min	Ni-Mh	12 h	S.E.
04523	RET1200NM15SE65	1200		90 min	Ni-Mh	12 h	S.E.
07873	RET1200NM20SE65	1200		120 min	Ni-Mh	12 h	S.E.

REPLAY LED - AUTOTESTING S.E./S.A. IP65

CODICE	ARTICOLO	LUMEN S.E.	LUMEN S.A.	AUTONOMIA	BATTERIA	TEMPO DI RICARICA	MODO
07207	RET150NM10SESA65	150	150	60 min	Ni-Mh	12 h	S.E./S.A.
07208	RET150NM15SESA65	150	150	90 min	Ni-Mh	12 h	S.E./S.A.
07209	RET150NM30SESA65	150	150	180 min	Ni-Mh	12 h	S.E./S.A.
07105	RET200NM10SESA65	200	200	60 min	Ni-Mh	12 h	S.E./S.A.
07106	RET200NM15SESA65	200	200	90 min	Ni-Mh	12 h	S.E./S.A.
07107	RET200NM30SESA65	200	200	180 min	Ni-Mh	12 h	S.E./S.A.
07874	RET300NM10SESA65	300	250	60 min	Ni-Mh	12 h	S.E./S.A.
04524	RET300NM15SESA65	300	250	90 min	Ni-Mh	12 h	S.E./S.A.
07875	RET300NM30SESA65	300	250	180 min	Ni-Mh	12 h	S.E./S.A.
10731	RET400NM15SESA65	400	400	90 min	Ni-Mh	12 h	S.E./S.A.
10732	RET400NM30SESA65	400	400	180 min	Ni-Mh	12 h	S.E./S.A.
10733	RET500NM15SESA65	500	500	90 min	Ni-Mh	12 h	S.E./S.A.
10734	RET500NM30SESA65	500	500	180 min	Ni-Mh	12 h	S.E./S.A.
07876	RET600NM15SESA65	600	600	90 min	Ni-Mh	12 h	S.E./S.A.
07877	RET600NM30SESA65	600	600	180 min	Ni-Mh	12 h	S.E./S.A.
07878	RET800NM15SESA65	800	800	90 min	Ni-Mh	12 h	S.E./S.A.
07879	RET800NM20SESA65	800	800	120 min	Ni-Mh	12 h	S.E./S.A.
07880	RET900NM15SESA65	900	900	90 min	Ni-Mh	12 h	S.E./S.A.
07881	RET900NM20SESA65	900	900	120 min	Ni-Mh	12 h	S.E./S.A.
07882	RET1200NM10SESA65	1200	1000	60 min	Ni-Mh	12 h	S.E./S.A.
04525	RET1200NM15SESA65	1200	1000	90 min	Ni-Mh	12 h	S.E./S.A.
07883	RET1200NM20SESA65	1200	1000	120 min	Ni-Mh	12 h	S.E./S.A.

REPLAY LED - CENTRAL SYSTEM S.E. IP44							
CODICE	ARTICOLO	LUMEN S.E.		AUTONOMIA	BATTERIA	TEMPO DI RICARICA	MODO
07217	REC150NM15SE44	150		90 min	Ni-Mh	12 h	S.E.
07218	REC150NM30SE44	150		180 min	Ni-Mh	12 h	S.E.
07211	REC200NM10SE44	200		60 min	Ni-Mh	12 h	S.E.
07212	REC200NM15SE44	200		90 min	Ni-Mh	12 h	S.E.
07213	REC200NM30SE44	200		180 min	Ni-Mh	12 h	S.E.
07800	REC300NM10SE44	300		60 min	Ni-Mh	12 h	S.E.
07219	REC300NM15SE44	300		90 min	Ni-Mh	12 h	S.E.
07801	REC300NM30SE44	300		180 min	Ni-Mh	12 h	S.E.
10761	REC400NM15SE44	400		90 min	Ni-Mh	12 h	S.E.
10762	REC400NM30SE44	400		180 min	Ni-Mh	12 h	S.E.
10763	REC500NM15SE44	500		90 min	Ni-Mh	12 h	S.E.
10764	REC500NM30SE44	500		180 min	Ni-Mh	12 h	S.E.
07803	REC600NM15SE44	600		90 min	Ni-Mh	12 h	S.E.
07804	REC600NM30SE44	600		180 min	Ni-Mh	12 h	S.E.
07805	REC800NM15SE44	800		90 min	Ni-Mh	12 h	S.E.
07806	REC800NM20SE44	800		120 min	Ni-Mh	12 h	S.E.
07807	REC900NM15SE44	900		90 min	Ni-Mh	12 h	S.E.
07808	REC900NM20SE44	900		120 min	Ni-Mh	12 h	S.E.
07809	REC1200NM10SE44	1200		60 min	Ni-Mh	12 h	S.E.
07227	REC1200NM15SE44	1200		90 min	Ni-Mh	12 h	S.E.
07810	REC1200NM20SE44	1200		120 min	Ni-Mh	12 h	S.E.
REPLAY LED - CENTRAL SYSTEM S.E./S.A. IP44							
CODICE	ARTICOLO	LUMEN S.E.	LUMEN S.A.	AUTONOMIA	BATTERIA	TEMPO DI RICARICA	MODO
07228	REC150NM15SESA44	150	150	90 min	Ni-Mh	12 h	S.E./S.A.
07229	REC150NM30SESA44	150	150	180 min	Ni-Mh	12 h	S.E./S.A.
07214	REC200NM10SESA44	200	200	60 min	Ni-Mh	12 h	S.E./S.A.
07215	REC200NM15SESA44	200	200	90 min	Ni-Mh	12 h	S.E./S.A.
07216	REC200NM30SESA44	200	200	180 min	Ni-Mh	12 h	S.E./S.A.
07811	REC300NM10SESA44	300	300	60 min	Ni-Mh	12 h	S.E./S.A.
07238	REC300NM15SESA44	300	300	90 min	Ni-Mh	12 h	S.E./S.A.
07812	REC300NM30SESA44	300	300	180 min	Ni-Mh	12 h	S.E./S.A.
10781	REC400NM15SESA44	400	400	90 min	Ni-Mh	12 h	S.E./S.A.
10782	REC400NM30SESA44	400	400	180 min	Ni-Mh	12 h	S.E./S.A.
10783	REC500NM15SESA44	500	500	90 min	Ni-Mh	12 h	S.E./S.A.
10784	REC500NM30SESA44	500	500	180 min	Ni-Mh	12 h	S.E./S.A.
07813	REC600NM15SESA44	600	600	90 min	Ni-Mh	12 h	S.E./S.A.
07814	REC600NM30SESA44	600	600	180 min	Ni-Mh	12 h	S.E./S.A.
07815	REC800NM15SESA44	800	800	90 min	Ni-Mh	12 h	S.E./S.A.
07816	REC800NM20SESA44	800	800	120 min	Ni-Mh	12 h	S.E./S.A.
07817	REC900NM15SESA44	900	900	90 min	Ni-Mh	12 h	S.E./S.A.
07818	REC900NM20SESA44	900	900	120 min	Ni-Mh	12 h	S.E./S.A.
07819	REC1200NM10SESA44	1200	1000	60 min	Ni-Mh	12 h	S.E./S.A.
07239	REC1200NM15SESA44	1200	1000	90 min	Ni-Mh	12 h	S.E./S.A.
07820	REC1200NM20SESA44	1200	1000	120 min	Ni-Mh	12 h	S.E./S.A.
REPLAY LED - CENTRAL SYSTEM S.E. IP65							
CODICE	ARTICOLO	LUMEN S.E.		AUTONOMIA	BATTERIA	TEMPO DI RICARICA	MODO
07257	REC150NM15SE65	150		90 min	Ni-Mh	12 h	S.E.
07258	REC150NM30SE65	150		180 min	Ni-Mh	12 h	S.E.
07221	REC200NM10SE65	200		60 min	Ni-Mh	12 h	S.E.
07222	REC200NM15SE65	200		90 min	Ni-Mh	12 h	S.E.
07223	REC200NM30SE65	200		180 min	Ni-Mh	12 h	S.E.
07821	REC300NM10SE65	300		60 min	Ni-Mh	12 h	S.E.
07259	REC300NM15SE65	300		90 min	Ni-Mh	12 h	S.E.
07822	REC300NM30SE65	300		180 min	Ni-Mh	12 h	S.E.
10771	REC400NM15SE65	400		90 min	Ni-Mh	12 h	S.E.
10772	REC400NM30SE65	400		180 min	Ni-Mh	12 h	S.E.
10773	REC500NM15SE65	500		90 min	Ni-Mh	12 h	S.E.
10774	REC500NM30SE65	500		180 min	Ni-Mh	12 h	S.E.
07824	REC600NM15SE65	600		90 min	Ni-Mh	12 h	S.E.
07825	REC600NM30SE65	600		180 min	Ni-Mh	12 h	S.E.
07826	REC800NM15SE65	800		90 min	Ni-Mh	12 h	S.E.
07827	REC800NM20SE65	800		120 min	Ni-Mh	12 h	S.E.
07828	REC900NM15SE65	900		90 min	Ni-Mh	12 h	S.E.

07829	REC900NM20SE65	900	120 min	Ni-Mh	12 h	S.E.
07830	REC1200NM10SE65	1200	60 min	Ni-Mh	12 h	S.E.
07234	REC1200NM15SE65	1200	90 min	Ni-Mh	12 h	S.E.
07831	REC1200NM20SE65	1200	120 min	Ni-Mh	12 h	S.E.

REPLAY LED - CENTRAL SYSTEM S.E./S.A. IP65

CODICE	ARTICOLO	LUMEN S.E.	LUMEN S.A.	AUTONOMIA	BATTERIA	TEMPO DI RICARICA	MODO
07278	REC150NM15SESA65	150	150	90 min	Ni-Mh	12 h	S.E./S.A.
07279	REC150NM30SESA65	150	150	180 min	Ni-Mh	12 h	S.E./S.A.
07224	REC200NM10SESA65	200	200	60 min	Ni-Mh	12 h	S.E./S.A.
07225	REC200NM15SESA65	200	200	90 min	Ni-Mh	12 h	S.E./S.A.
07226	REC200NM30SESA65	200	200	180 min	Ni-Mh	12 h	S.E./S.A.
07832	REC300NM10SESA65	300	300	60 min	Ni-Mh	12 h	S.E./S.A.
07280	REC300NM15SESA65	300	300	90 min	Ni-Mh	12 h	S.E./S.A.
07833	REC300NM30SESA65	300	300	180 min	Ni-Mh	12 h	S.E./S.A.
10791	REC400NM15SESA65	400	400	90 min	Ni-Mh	12 h	S.E./S.A.
10792	REC400NM30SESA65	400	400	180 min	Ni-Mh	12 h	S.E./S.A.
10793	REC500NM15SESA65	500	500	90 min	Ni-Mh	12 h	S.E./S.A.
10794	REC500NM30SESA65	500	500	180 min	Ni-Mh	12 h	S.E./S.A.
07834	REC600NM15SESA65	600	600	90 min	Ni-Mh	12 h	S.E./S.A.
07835	REC600NM30SESA65	600	600	180 min	Ni-Mh	12 h	S.E./S.A.
07836	REC800NM15SESA65	800	800	90 min	Ni-Mh	12 h	S.E./S.A.
07837	REC800NM20SESA65	800	800	120 min	Ni-Mh	12 h	S.E./S.A.
07838	REC900NM15SESA65	900	900	90 min	Ni-Mh	12 h	S.E./S.A.
07839	REC900NM20SESA65	900	900	120 min	Ni-Mh	12 h	S.E./S.A.
07840	REC1200NM10SESA65	1200	1000	60 min	Ni-Mh	12 h	S.E./S.A.
07281	REC1200NM15SESA65	1200	1000	90 min	Ni-Mh	12 h	S.E./S.A.
07841	REC1200NM20SESA65	1200	1000	120 min	Ni-Mh	12 h	S.E./S.A.

REPLAY LED - S.O.S. GROUND SYSTEM IP44

CODICE	ARTICOLO	LUMEN	ALIMENTAZIONE
14098	RESOS200-230-44	200	230V
14100	RESOS300-230-44	300	230V
14101	RESOS500-230-44	500	230V
14102	RESOS600-230-44	600	230V
14103	RESOS800-230-44	800	230V
14104	RESOS900-230-44	900	230V
14105	RESOS1200-230-44	1200	230V

REPLAY LED - S.O.S. GROUND SYSTEM IP65

CODICE	ARTICOLO	LUMEN	ALIMENTAZIONE
14099	RESOS200-230-65	200	230V
14106	RESOS300-230-65	300	230V
14107	RESOS500-230-65	500	230V
14108	RESOS600-230-65	600	230V
14109	RESOS800-230-65	800	230V
14110	RESOS900-230-65	900	230V
14111	RESOS1200-230-65	1200	230V

REPLAY LED - S.O.S. SYSTEM 24V IP44

CODICE	ARTICOLO	LUMEN	ALIMENTAZIONE
07758	RESOS300 24-44	300	24V
07759	RESOS600 24-44	600	24V
07760	RESOS750 24-44	750	24V
07761	RESOS900 24-44	900	24V
07762	RESOS1200 24-44	1200	24V

REPLAY LED - S.O.S. SYSTEM 24V IP65

CODICE	ARTICOLO	LUMEN	ALIMENTAZIONE
07773	RESOS300 24-65	300	24V
07774	RESOS600 24-65	600	24V
07775	RESOS750 24-65	750	24V
07776	RESOS900 24-65	900	24V
07777	RESOS1200 24-65	1200	24V

REPLAY LED - S.O.S. SYSTEM 48V IP44							
CODICE	ARTICOLO	LUMEN		ALIMENTAZIONE			
07763	RESOS300 48-44	300		48V			
07764	RESOS600 48-44	600		48V			
07765	RESOS750 48-44	750		48V			
07766	RESOS900 48-44	900		48V			
07767	RESOS1200 48-44	1200		48V			

REPLAY LED - S.O.S. SYSTEM 48V IP65							
CODICE	ARTICOLO	LUMEN		ALIMENTAZIONE			
07778	RESOS300 48-65	300		48V			
07779	RESOS600 48-65	600		48V			
07780	RESOS750 48-65	750		48V			
07781	RESOS900 48-65	900		48V			
07782	RESOS1200 48-65	1200		48V			

REPLAY LED - SOLOLUCE 12-24V IP44							
CODICE	ARTICOLO	LUMEN		ALIMENTAZIONE			
07753	RESL300 12-24-44	300		12-24V			
07754	RESL600 12-24-44	600		12-24V			
07755	RESL750 12-24-44	750		12-24V			
07756	RESL900 12-24-44	900		12-24V			
07757	RESL1200 12-24-44	1200		12-24V			

REPLAY LED - SOLOLUCE 12-24V IP65							
CODICE	ARTICOLO	LUMEN		ALIMENTAZIONE			
07768	RESL300 12-24-65	300		12-24V			
07769	RESL600 12-24-65	600		12-24V			
07770	RESL750 12-24-65	750		12-24V			
07771	RESL900 12-24-65	900		12-24V			
07772	RESL1200 12-24-65	1200		12-24V			

REPLAY LED - SOLOLUCE 230V IP44							
CODICE	ARTICOLO	LUMEN		ALIMENTAZIONE			
07743	RESL300 230-44	300		230V			
07744	RESL600 230-44	600		230V			
07745	RESL750 230-44	750		230V			
07746	RESL900 230-44	900		230V			
07747	RESL1200 230-44	1200		230V			

REPLAY LED - SOLOLUCE 230V IP65							
CODICE	ARTICOLO	LUMEN		ALIMENTAZIONE			
07748	RESL300 230-65	300		230V			
07749	RESL600 230-65	600		230V			
07750	RESL750 230-65	750		230V			
07751	RESL900 230-65	900		230V			
07752	RESL1200 230-65	1200		230V			