

REPLAY *INDIRECTA*

ILLUMINAZIONE DI EMERGENZA
ANTI-ABBAGLIAMENTO
ANTI-GLARE EMERGENCY LIGHTING



45°



IDEALE PER INSTALLAZIONI IN AMBIENTI DOVE LA LAMPADA, INSTALLATA A PARETE CON FASCIO DI LUCE DIRETTO, POTREBBE CAUSARE PROBLEMI DI ABBAGLIAMENTO E QUINDI NON GARANTIRE UN'ILLUMINAZIONE DI EMERGENZA ADEGUATA.

CARATTERISTICHE PRINCIPALI:



Angolazione flusso luminoso di 45°



Ampia gamma da 300 a 1200 lumen



Adatta per interni ed esterni (IP44 o IP65)

REPLAYINDIRECTA

Fabbricazione elettronica italiana al 100%
100% Italian electronics manufacturing

Alimentazione 230Vca-50Hz
230Vca-50Hz input Power

Grado di protezione IP44 o IP65
IP44 or IP65 protection degree

Grado di resistenza agli urti IK08
IK08 shock resistance degree

Materiale corpo in Bayblend® (PC+ABS) autoestinguente V0
Self-extinguishing (V0) Bayblend® (PC+ABS) body material

Materiale diffusore in policarbonato cristallo autoestinguente V0
Self-extinguishing (V0) crystal polycarbonate reflector material

Temperatura operativa 0°C / +40°C
0°C / +40°C working temperature

Glow wire test 960°C (2.0mm)
960°C (2.0mm) glow wire test

Tipo di funzionamento S.E. o S.E./S.A.
NOT PERMANENT or PERMANENT functioning

Autonomia da 90 a 180 minuti
From 90 to 180 minutes autonomy

Tempo di ricarica 12 ore
12 hours recharging time

Montaggio a parete o ad incasso tramite WALLBOX 01 (cod.07742)
Wall mounting or recessed wall mounting by WALLBOX 01 (cod.07742)

Batteria Ni-MH ricaricabile, garantita 24 mesi
Rechargeable Ni-MH battery, 24 months warranty

Ricarica della batteria a corrente costante
Battery recharging at constant rated current

Protezione della batteria a scarica completa
Battery protection at full discharging

LED verde spia presenza rete
Green LED power ON

Fonte luminosa LED Alta efficienza
High efficiency LED Light source

Gamma flusso luminoso nominale da 300 a 1200 Lumen
Luminous flux range from 300 to 1200 Lumen

Resa cromatica (CRI) 80
80 colour rendering index

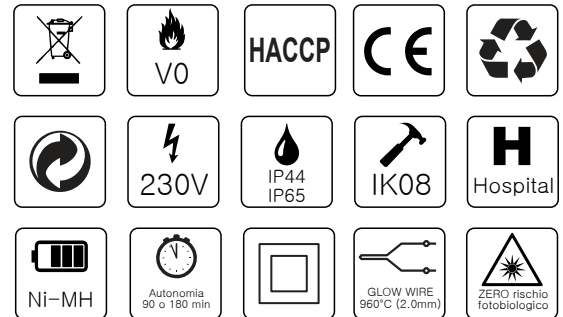
Temperatura colore 5000K
5000K colour temperature

Zero rischio fotobiologico secondo EN62471
Photobiological no-risk according to EN62471

Garanzia sulla fonte luminosa LED di 10 anni
10 years warranty on LED light source

Conforme alle normative vigenti:
Complies with current Standards:

- EN 61547 • EN 1838 • EN 60598-2-22 • EN 62471 • EN 55015, Classe B
- EN 60598-1 • EN 61347-2-7 • EN 62034 (Autotesting Version)



Dimensioni

Dimension

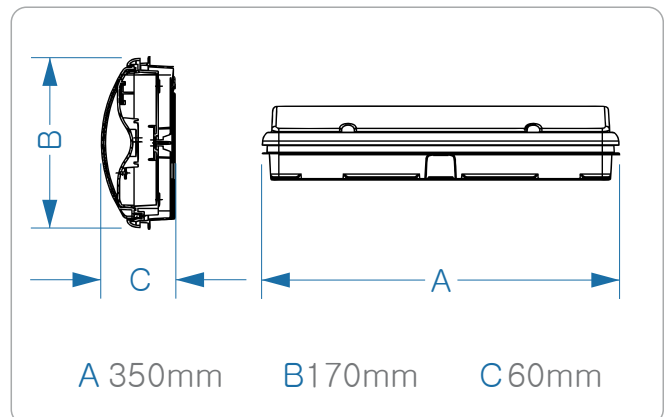
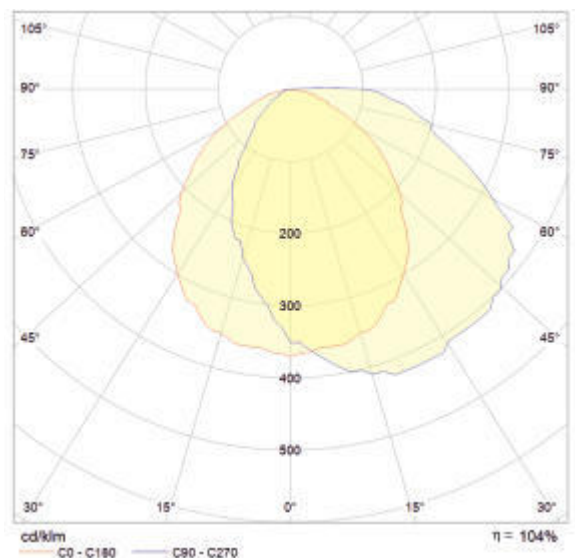


Diagramma polare

Polar diagram



REPLAY LED INDIRECTA - STANDARD S.E. IP44							
CODICE	ARTICOLO	LUMEN S.E.		AUTONOMIA	BATTERIA	TEMPO DI RICARICA	MODO
08165	RID300NM15SE44	300		90 min	Ni-Mh	12 h	S.E.
08166	RID300NM30SE44	300		180 min	Ni-Mh	12 h	S.E.
08167	RID400NM15SE44	400		90 min	Ni-Mh	12 h	S.E.
08168	RID400NM30SE44	400		180 min	Ni-Mh	12 h	S.E.
08169	RID600NM15SE44	600		90 min	Ni-Mh	12 h	S.E.
08170	RID600NM30SE44	600		180 min	Ni-Mh	12 h	S.E.
08171	RID900NM15SE44	900		90 min	Ni-Mh	12 h	S.E.
08172	RID900NM20SE44	900		120 min	Ni-Mh	12 h	S.E.
08173	RID1200NM15SE44	1200		90 min	Ni-Mh	12 h	S.E.
08174	RID1200NM20SE44	1200		120 min	Ni-Mh	12 h	S.E.

REPLAY LED INDIRECTA - STANDARD S.E./S.A. IP44							
CODICE	ARTICOLO	LUMEN S.E.	LUMEN S.A.	AUTONOMIA	BATTERIA	TEMPO DI RICARICA	MODO
08175	RID300NM15SESA44	300	300	90 min	Ni-Mh	12 h	S.E./S.A.
08176	RID300NM30SESA44	300	300	180 min	Ni-Mh	12 h	S.E./S.A.
08177	RID400NM15SESA44	400	400	90 min	Ni-Mh	12 h	S.E./S.A.
08178	RID400NM30SESA44	400	400	180 min	Ni-Mh	12 h	S.E./S.A.
08179	RID600NM15SESA44	600	600	90 min	Ni-Mh	12 h	S.E./S.A.
08180	RID600NM30SESA44	600	600	180 min	Ni-Mh	12 h	S.E./S.A.
08181	RID900NM15SESA44	900	900	90 min	Ni-Mh	12 h	S.E./S.A.
08182	RID900NM20SESA44	900	900	120 min	Ni-Mh	12 h	S.E./S.A.
08183	RID1200NM15SESA44	1200	1000	90 min	Ni-Mh	12 h	S.E./S.A.
08184	RID1200NM20SESA44	1200	1000	120 min	Ni-Mh	12 h	S.E./S.A.

REPLAY LED INDIRECTA - STANDARD S.E. IP65							
CODICE	ARTICOLO	LUMEN S.E.		AUTONOMIA	BATTERIA	TEMPO DI RICARICA	MODO
08185	RID300NM15SE65	300		90 min	Ni-Mh	12 h	S.E.
08186	RID300NM30SE65	300		180 min	Ni-Mh	12 h	S.E.
08187	RID400NM15SE65	400		90 min	Ni-Mh	12 h	S.E.
08188	RID400NM30SE65	400		180 min	Ni-Mh	12 h	S.E.
08189	RID600NM15SE65	600		90 min	Ni-Mh	12 h	S.E.
08190	RID600NM30SE65	600		180 min	Ni-Mh	12 h	S.E.
08191	RID900NM15SE65	900		90 min	Ni-Mh	12 h	S.E.
08192	RID900NM20SE65	900		120 min	Ni-Mh	12 h	S.E.
08193	RID1200NM15SE65	1200		90 min	Ni-Mh	12 h	S.E.
08194	RID1200NM20SE65	1200		120 min	Ni-Mh	12 h	S.E.

REPLAY LED INDIRECTA - STANDARD S.E./S.A. IP65							
CODICE	ARTICOLO	LUMEN S.E.	LUMEN S.A.	AUTONOMIA	BATTERIA	TEMPO DI RICARICA	MODO
08195	RID300NM15SESA65	300	300	90 min	Ni-Mh	12 h	S.E./S.A.
08196	RID300NM30SESA65	300	300	180 min	Ni-Mh	12 h	S.E./S.A.
08197	RID400NM15SESA65	400	400	90 min	Ni-Mh	12 h	S.E./S.A.
08198	RID400NM30SESA65	400	400	180 min	Ni-Mh	12 h	S.E./S.A.
08199	RID600NM15SESA65	600	600	90 min	Ni-Mh	12 h	S.E./S.A.
08285	RID600NM30SESA65	600	600	180 min	Ni-Mh	12 h	S.E./S.A.
08286	RID900NM15SESA65	900	900	90 min	Ni-Mh	12 h	S.E./S.A.
08287	RID900NM20SESA65	900	900	120 min	Ni-Mh	12 h	S.E./S.A.
08288	RID1200NM15SESA65	1200	1000	90 min	Ni-Mh	12 h	S.E./S.A.
08289	RID1200NM20SESA65	1200	1000	120 min	Ni-Mh	12 h	S.E./S.A.

REPLAY LED INDIRECTA - AUTOTESTING S.E. IP44							
CODICE	ARTICOLO	LUMEN S.E.		AUTONOMIA	BATTERIA	TEMPO DI RICARICA	MODO
08547	RIT300NM15SE44	300		90 min	Ni-Mh	12 h	S.E.
08548	RIT300NM30SE44	300		180 min	Ni-Mh	12 h	S.E.
08549	RIT400NM15SE44	400		90 min	Ni-Mh	12 h	S.E.
08550	RIT400NM30SE44	400		180 min	Ni-Mh	12 h	S.E.
08551	RIT600NM15SE44	600		90 min	Ni-Mh	12 h	S.E.
08552	RIT600NM30SE44	600		180 min	Ni-Mh	12 h	S.E.
08553	RIT900NM15SE44	900		90 min	Ni-Mh	12 h	S.E.
08554	RIT900NM20SE44	900		120 min	Ni-Mh	12 h	S.E.
08555	RIT1200NM15SE44	1200		90 min	Ni-Mh	12 h	S.E.
08556	RIT1200NM20SE44	1200		120 min	Ni-Mh	12 h	S.E.

REPLAY LED INDIRECTA - AUTOTESTING S.E./S.A. IP44							
CODICE	ARTICOLO	LUMEN S.E.	LUMEN S.A.	AUTONOMIA	BATTERIA	TEMPO DI RICARICA	MODO
08557	RIT300NM15SESA44	300	300	90 min	Ni-Mh	12 h	S.E./S.A.
08558	RIT300NM30SESA44	300	300	180 min	Ni-Mh	12 h	S.E./S.A.
08559	RIT400NM15SESA44	400	400	90 min	Ni-Mh	12 h	S.E./S.A.

08560	RIT400NM30SESA44	400	400	180 min	Ni-Mh	12 h	S.E./S.A.
08561	RIT600NM15SESA44	600	600	90 min	Ni-Mh	12 h	S.E./S.A.
08562	RIT600NM30SESA44	600	600	180 min	Ni-Mh	12 h	S.E./S.A.
08563	RIT900NM15SESA44	900	900	90 min	Ni-Mh	12 h	S.E./S.A.
08564	RIT900NM20SESA44	900	900	120 min	Ni-Mh	12 h	S.E./S.A.
08565	RIT1200NM15SESA44	1200	1000	90 min	Ni-Mh	12 h	S.E./S.A.
08566	RIT1200NM20SESA44	1200	1000	120 min	Ni-Mh	12 h	S.E./S.A.

REPLAY LED INDIRECTA - AUTOTESTING S.E. IP65

CODICE	ARTICOLO	LUMEN S.E.		AUTONOMIA	BATTERIA	TEMPO DI RICARICA	MODO
08567	RIT300NM15SE65	300		90 min	Ni-Mh	12 h	S.E.
08568	RIT300NM30SE65	300		180 min	Ni-Mh	12 h	S.E.
08569	RIT400NM15SE65	400		90 min	Ni-Mh	12 h	S.E.
08570	RIT400NM30SE65	400		180 min	Ni-Mh	12 h	S.E.
08571	RIT600NM15SE65	600		90 min	Ni-Mh	12 h	S.E.
08572	RIT600NM30SE65	600		180 min	Ni-Mh	12 h	S.E.
08573	RIT900NM15SE65	900		90 min	Ni-Mh	12 h	S.E.
08574	RIT900NM20SE65	900		120 min	Ni-Mh	12 h	S.E.
08575	RIT1200NM15SE65	1200		90 min	Ni-Mh	12 h	S.E.
08576	RIT1200NM20SE65	1200		120 min	Ni-Mh	12 h	S.E.

REPLAY LED INDIRECTA - AUTOTESTING S.E./S.A. IP65

CODICE	ARTICOLO	LUMEN S.E.	LUMEN S.A.	AUTONOMIA	BATTERIA	TEMPO DI RICARICA	MODO
08577	RIT300NM15SESA65	300	300	90 min	Ni-Mh	12 h	S.E./S.A.
08578	RIT300NM30SESA65	300	300	180 min	Ni-Mh	12 h	S.E./S.A.
08579	RIT400NM15SESA65	400	400	90 min	Ni-Mh	12 h	S.E./S.A.
08580	RIT400NM30SESA65	400	400	180 min	Ni-Mh	12 h	S.E./S.A.
08581	RIT600NM15SESA65	600	600	90 min	Ni-Mh	12 h	S.E./S.A.
08582	RIT600NM30SESA65	600	600	180 min	Ni-Mh	12 h	S.E./S.A.
08583	RIT900NM15SESA65	900	900	90 min	Ni-Mh	12 h	S.E./S.A.
08584	RIT900NM20SESA65	900	900	120 min	Ni-Mh	12 h	S.E./S.A.
08585	RIT1200NM15SESA65	1200	1000	90 min	Ni-Mh	12 h	S.E./S.A.
08586	RIT1200NM20SESA65	1200	1000	120 min	Ni-Mh	12 h	S.E./S.A.

REPLAY LED INDIRECTA - CENTRAL SYSTEM S.E. IP44

CODICE	ARTICOLO	LUMEN S.E.		AUTONOMIA	BATTERIA	TEMPO DI RICARICA	MODO
08671	RIC300NM15SE44	300		90 min	Ni-Mh	12 h	S.E.
08672	RIC300NM30SE44	300		180 min	Ni-Mh	12 h	S.E.
08673	RIC400NM15SE44	400		90 min	Ni-Mh	12 h	S.E.
08674	RIC400NM30SE44	400		180 min	Ni-Mh	12 h	S.E.
08675	RIC600NM15SE44	600		90 min	Ni-Mh	12 h	S.E.
08676	RIC600NM30SE44	600		180 min	Ni-Mh	12 h	S.E.
08677	RIC900NM15SE44	900		90 min	Ni-Mh	12 h	S.E.
08678	RIC900NM20SE44	900		120 min	Ni-Mh	12 h	S.E.
08679	RIC1200NM15SE44	1200		90 min	Ni-Mh	12 h	S.E.
08680	RIC1200NM20SE44	1200		120 min	Ni-Mh	12 h	S.E.

REPLAY LED INDIRECTA - CENTRAL SYSTEM S.E./S.A. IP44

CODICE	ARTICOLO	LUMEN S.E.	LUMEN S.A.	AUTONOMIA	BATTERIA	TEMPO DI RICARICA	MODO
08681	RIC300NM15SESA44	300	300	90 min	Ni-Mh	12 h	S.E./S.A.
08682	RIC300NM30SESA44	300	300	180 min	Ni-Mh	12 h	S.E./S.A.
08683	RIC400NM15SESA44	400	400	90 min	Ni-Mh	12 h	S.E./S.A.
08684	RIC400NM30SESA44	400	400	180 min	Ni-Mh	12 h	S.E./S.A.
08685	RIC600NM15SESA44	600	600	90 min	Ni-Mh	12 h	S.E./S.A.
08686	RIC600NM30SESA44	600	600	180 min	Ni-Mh	12 h	S.E./S.A.
08687	RIC900NM15SESA44	900	900	90 min	Ni-Mh	12 h	S.E./S.A.
08688	RIC900NM20SESA44	900	900	120 min	Ni-Mh	12 h	S.E./S.A.
08689	RIC1200NM15SESA44	1200	1000	90 min	Ni-Mh	12 h	S.E./S.A.
08690	RIC1200NM20SESA44	1200	1000	120 min	Ni-Mh	12 h	S.E./S.A.

REPLAY LED INDIRECTA - CENTRAL SYSTEM S.E. IP65

CODICE	ARTICOLO	LUMEN S.E.		AUTONOMIA	BATTERIA	TEMPO DI RICARICA	MODO
08691	RIC300NM15SE65	300		90 min	Ni-Mh	12 h	S.E.
08692	RIC300NM30SE65	300		180 min	Ni-Mh	12 h	S.E.
08693	RIC400NM15SE65	400		90 min	Ni-Mh	12 h	S.E.
08694	RIC400NM30SE65	400		180 min	Ni-Mh	12 h	S.E.
08695	RIC600NM15SE65	600		90 min	Ni-Mh	12 h	S.E.
08696	RIC600NM30SE65	600		180 min	Ni-Mh	12 h	S.E.
08697	RIC900NM15SE65	900		90 min	Ni-Mh	12 h	S.E.
08698	RIC900NM20SE65	900		120 min	Ni-Mh	12 h	S.E.

08699	RIC1200NM15SE65	1200		90 min	Ni-Mh	12 h	S.E.
08700	RIC1200NM20SE65	1200		120 min	Ni-Mh	12 h	S.E.
REPLAY LED INDIRECTA - CENTRAL SYSTEM S.E./S.A. IP65							
CODICE	ARTICOLO	LUMEN S.E.	LUMEN S.A.	AUTONOMIA	BATTERIA	TEMPO DI RICARICA	MODO
08701	RIC300NM15SESA65	300	300	90 min	Ni-Mh	12 h	S.E./S.A.
08702	RIC300NM30SESA65	300	300	180 min	Ni-Mh	12 h	S.E./S.A.
08703	RIC400NM15SESA65	400	400	90 min	Ni-Mh	12 h	S.E./S.A.
08704	RIC400NM30SESA65	400	400	180 min	Ni-Mh	12 h	S.E./S.A.
08705	RIC600NM15SESA65	600	600	90 min	Ni-Mh	12 h	S.E./S.A.
08706	RIC600NM30SESA65	600	600	180 min	Ni-Mh	12 h	S.E./S.A.
08707	RIC900NM15SESA65	900	900	90 min	Ni-Mh	12 h	S.E./S.A.
08708	RIC900NM20SESA65	900	900	120 min	Ni-Mh	12 h	S.E./S.A.
08709	RIC1200NM15SESA65	1200	1000	90 min	Ni-Mh	12 h	S.E./S.A.
08710	RIC1200NM20SESA65	1200	1000	120 min	Ni-Mh	12 h	S.E./S.A.
REPLAY LED INDIRECTA - S.O.S. GROUND IP44							
CODICE	ARTICOLO	LUMEN		ALIMENTAZIONE			
54024	RICSOS300-230-44	300		230V			
54025	RICSOS400-230-44	400		230V			
54026	RICSOS600-230-44	600		230V			
54027	RICSOS900-230-44	900		230V			
54028	RICSOS1200-230-44	1200		230V			
REPLAY LED INDIRECTA - S.O.S. GROUND IP65							
CODICE	ARTICOLO	LUMEN		ALIMENTAZIONE			
54029	RICSOS300-230-65	300		230V			
54030	RICSOS400-230-65	400		230V			
54031	RICSOS600-230-65	600		230V			
54032	RICSOS900-230-65	900		230V			
54033	RICSOS1200-230-65	1200		230V			
REPLAY LED INDIRECTA - S.O.S. SYSTEM 24V IP44							
CODICE	ARTICOLO	LUMEN		ALIMENTAZIONE			
54034	RICSOS300-24-44	300		24V			
54035	RICSOS400-24-44	400		24V			
54036	RICSOS600-24-44	600		24V			
54037	RICSOS900-24-44	900		24V			
54038	RICSOS1200-24-44	1200		24V			
REPLAY LED INDIRECTA - S.O.S. SYSTEM 24V IP65							
CODICE	ARTICOLO	LUMEN		ALIMENTAZIONE			
54039	RICSOS300-24-65	300		24V			
54040	RICSOS400-24-65	400		24V			
54041	RICSOS600-24-65	600		24V			
54042	RICSOS900-24-65	900		24V			
54043	RICSOS1200-24-65	1200		24V			
REPLAY LED INDIRECTA - S.O.S. SYSTEM 48V IP44							
CODICE	ARTICOLO	LUMEN		ALIMENTAZIONE			
54044	RICSOS300-48-44	300		48V			
54045	RICSOS400-48-44	400		48V			
54046	RICSOS600-48-44	600		48V			
54047	RICSOS900-48-44	900		48V			
54048	RICSOS1200-48-44	1200		48V			
REPLAY LED INDIRECTA - S.O.S. SYSTEM 48V IP65							
CODICE	ARTICOLO	LUMEN		ALIMENTAZIONE			
54049	RICSOS300-48-65	300		48V			
54050	RICSOS400-48-65	400		48V			
54051	RICSOS600-48-65	600		48V			
54052	RICSOS900-48-65	900		48V			
54053	RICSOS1200-48-65	1200		48V			
REPLAY LED INDIRECTA - SOLOLUCE 12-24V IP44							
CODICE	ARTICOLO	LUMEN		ALIMENTAZIONE			
54054	RICSL300-12-24-44	300		12-24V			
54055	RICSL400-12-24-44	400		12-24V			
54056	RICSL600-12-24-44	600		12-24V			
54057	RICSL900-12-24-44	900		12-24V			
54058	RICSL1200-12-24-44	1200		12-24V			

REPLAY LED INDIRECTA - SOLOLUCE 12-24V IP65							
CODICE	ARTICOLO	LUMEN		ALIMENTAZIONE			
54059	RICSL300-12-24-65	300		12-24V			
54060	RICSL400-12-24-65	400		12-24V			
54061	RICSL600-12-24-65	600		12-24V			
54062	RICSL900-12-24-65	900		12-24V			
54063	RICSL1200-12-24-65	1200		12-24V			
REPLAY LED INDIRECTA - SOLOLUCE 230V IP44							
CODICE	ARTICOLO	LUMEN		ALIMENTAZIONE			
54064	RICSL300-230-44	300		230V			
54065	RICSL400-230-44	400		230V			
54066	RICSL600-230-44	600		230V			
54067	RICSL900-230-44	900		230V			
54068	RICSL1200-230-44	1200		230V			
REPLAY LED INDIRECTA - SOLOLUCE 230V IP65							
CODICE	ARTICOLO	LUMEN		ALIMENTAZIONE			
54069	RICSL300-230-65	300		230V			
54070	RICSL400-230-65	400		230V			
54071	RICSL600-230-65	600		230V			
54072	RICSL900-230-65	900		230V			
54073	RICSL1200-230-65	1200		230V			