

nice EKO



IDEALE PER INSTALLAZIONI IN AMBIENTI COME:

- UFFICI
- ABITAZIONI PRIVATE
- NEGOZI
- ALBERGHI

CARATTERISTICHE PRINCIPALI:



Dimensioni compatte



Ampia gamma
da 75 a 300 lumen



Adatta per interni ed
esterni (IP42 o IP65)

nice EKO

LAMPADA DI EMERGENZA A LED

Fabbricazione elettronica italiana al 100%
100% Italian electronics manufacturing

Alimentazione 230Vca -50Hz
230Vca -50Hz input Power

Grado di protezione IP42 o IP65
IP42 or IP65 protection degree

Grado di resistenza agli urti IK07
IK07 shock resistance degree

Materiale corpo in policarbonato autoestinguente V2
Self-extinguishing (V2) polycarbonate body material

Materiale diffusore in policarbonato autoestinguente V2
Self-extinguishing (V2) polycarbonate reflector material

Temperatura operativa 0°C / +40°C
0°C / +40°C working temperature

Glow wire test 850°C (2.0mm)
850°C (2.0mm) glow wire test

Tipo di funzionamento S.E. o S.E./S.A.
NOT PERMANENT or PERMANENT functioning

Autonomia da 60 a 180 minuti
From 60 to 180 minutes autonomy

Tempo di ricarica 12 ore
12 hours recharging time

Montaggio a parete
Wall mounting

Batteria Ni-MH ricaricabile, garantita 24 mesi
Rechargeable Ni-MH battery, 24 months warranty

Ricarica della batteria a corrente costante
Battery recharging at constant rated current

Protezione della batteria a scarica completa
Battery protection at full discharging

LED verde spia presenza rete
Green LED power ON

Fonte luminosa LED Alta efficienza
LED High efficiency Light source

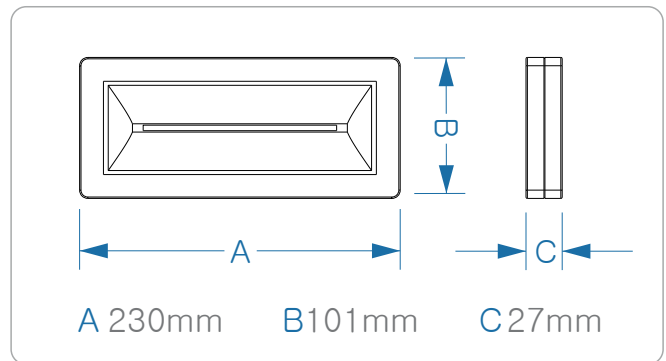
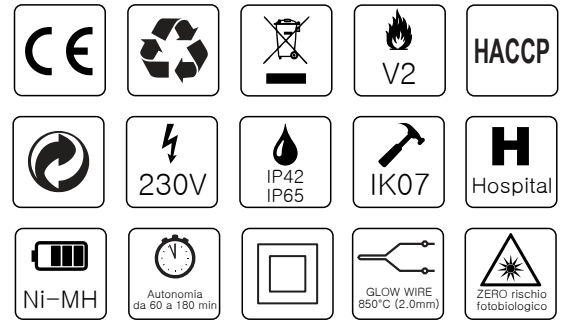
Gamma flusso luminoso nominale da 75 a 300 Lumen
Luminous flux range from 75 to 300 Lumen

Resa cromatica (CRI) 80
80 colour rendering index

Temperatura colore 5000K
5000K colour temperature

Rischio fotobiologico ZERO secondo EN62471
Photobiological NO-risk according to EN62471

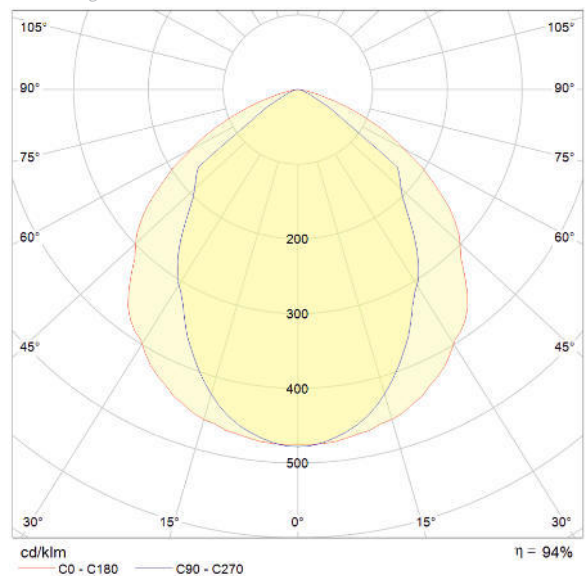
Garanzia sulla fonte luminosa LED di 10 anni
10 years warranty on LED light source



Le lampade IP65 vengono fornite con la guarnizione in silicone espanso già inserita + il raccordo tubo-lampada d. 16mm

IP65 lamps are supplied with the foam silicone gasket (already inserted) + tube-lamp junction d. 16mm

Diagramma polare
Polar diagram



NICE EKO - STANDARD S.E. IP42							
CODICE	ARTICOLO	LUMEN S.E.	AUTONOMIA	BATTERIA	TEMPO DI RICARICA	MODO	
59216	NEK75NM10SE42	75	60 min	Ni-MH	12 h	S.E.	
59217	NEK75NM20SE42	75	120 min	Ni-MH	12 h	S.E.	
59218	NEK75NM30SE42	75	180 min	Ni-MH	12 h	S.E.	
59219	NEK90NM10SE42	90	60 min	Ni-MH	12 h	S.E.	
59220	NEK90NM20SE42	90	120 min	Ni-MH	12 h	S.E.	
59221	NEK90NM30SE42	90	180 min	Ni-MH	12 h	S.E.	
59222	NEK120NM10SE42	120	60 min	Ni-MH	12 h	S.E.	
59223	NEK120NM20SE42	120	120 min	Ni-MH	12 h	S.E.	
59224	NEK120NM30SE42	120	180 min	Ni-MH	12 h	S.E.	
59225	NEK150NM10SE42	150	60 min	Ni-MH	12 h	S.E.	
59226	NEK150NM20SE42	150	120 min	Ni-MH	12 h	S.E.	
59227	NEK150NM30SE42	150	180 min	Ni-MH	12 h	S.E.	
59228	NEK200NM10SE42	200	60 min	Ni-MH	12 h	S.E.	
59229	NEK200NM20SE42	200	120 min	Ni-MH	12 h	S.E.	
59230	NEK200NM30SE42	200	180 min	Ni-MH	12 h	S.E.	
59231	NEK250NM10SE42	250	60 min	Ni-MH	12 h	S.E.	
59232	NEK250NM20SE42	250	120 min	Ni-MH	12 h	S.E.	
59233	NEK250NM25SE42	250	150 min	Ni-MH	12 h	S.E.	
59234	NEK300NM10SE42	300	60 min	Ni-MH	12 h	S.E.	
59235	NEK300NM20SE42	300	120 min	Ni-MH	12 h	S.E.	

NICE EKO - STANDARD S.E./S.A. IP42							
CODICE	ARTICOLO	LUMEN S.E.	LUMEN S.A.	AUTONOMIA	BATTERIA	TEMPO DI RICARICA	MODO
59243	NEK75NM10SESA42	75	75	60 min	Ni-MH	12 h	S.E./S.A.
59244	NEK75NM20SESA42	75	75	120 min	Ni-MH	12 h	S.E./S.A.
59245	NEK75NM30SESA42	75	75	180 min	Ni-MH	12 h	S.E./S.A.
59246	NEK90NM10SESA42	90	90	60 min	Ni-MH	12 h	S.E./S.A.
59247	NEK90NM20SESA42	90	90	120 min	Ni-MH	12 h	S.E./S.A.
59248	NEK90NM30SESA42	90	90	180 min	Ni-MH	12 h	S.E./S.A.
59249	NEK120NM10SESA42	120	120	60 min	Ni-MH	12 h	S.E./S.A.
59250	NEK120NM20SESA42	120	120	120 min	Ni-MH	12 h	S.E./S.A.
59251	NEK120NM30SESA42	120	120	180 min	Ni-MH	12 h	S.E./S.A.
59252	NEK150NM10SESA42	150	150	60 min	Ni-MH	12 h	S.E./S.A.
59253	NEK150NM20SESA42	150	150	120 min	Ni-MH	12 h	S.E./S.A.
59254	NEK150NM30SESA42	150	150	180 min	Ni-MH	12 h	S.E./S.A.
59255	NEK200NM10SESA42	200	170	60 min	Ni-MH	12 h	S.E./S.A.
59256	NEK200NM20SESA42	200	170	120 min	Ni-MH	12 h	S.E./S.A.
59257	NEK200NM30SESA42	200	170	180 min	Ni-MH	12 h	S.E./S.A.
59258	NEK250NM10SESA42	250	170	60 min	Ni-MH	12 h	S.E./S.A.
59259	NEK250NM20SESA42	250	170	120 min	Ni-MH	12 h	S.E./S.A.
59260	NEK250NM25SESA42	250	170	150 min	Ni-MH	12 h	S.E./S.A.
59261	NEK300NM10SESA42	300	170	60 min	Ni-MH	12 h	S.E./S.A.
59262	NEK300NM20SESA42	300	170	120 min	Ni-MH	12 h	S.E./S.A.

NICE EKO - STANDARD S.E. IP65							
CODICE	ARTICOLO	LUMEN S.E.	AUTONOMIA	BATTERIA	TEMPO DI RICARICA	MODO	
56261	NEK75NM10SE65	75	60 min	Ni-MH	12 h	S.E.	
56262	NEK75NM20SE65	75	120 min	Ni-MH	12 h	S.E.	
56263	NEK75NM30SE65	75	180 min	Ni-MH	12 h	S.E.	
56264	NEK90NM10SE65	90	60 min	Ni-MH	12 h	S.E.	
56265	NEK90NM20SE65	90	120 min	Ni-MH	12 h	S.E.	
56266	NEK90NM30SE65	90	180 min	Ni-MH	12 h	S.E.	
56267	NEK120NM10SE65	120	60 min	Ni-MH	12 h	S.E.	
56268	NEK120NM20SE65	120	120 min	Ni-MH	12 h	S.E.	
56269	NEK120NM30SE65	120	180 min	Ni-MH	12 h	S.E.	
56270	NEK150NM10SE65	150	60 min	Ni-MH	12 h	S.E.	
56271	NEK150NM20SE65	150	120 min	Ni-MH	12 h	S.E.	
56272	NEK150NM30SE65	150	180 min	Ni-MH	12 h	S.E.	
56273	NEK200NM10SE65	200	60 min	Ni-MH	12 h	S.E.	
56274	NEK200NM20SE65	200	120 min	Ni-MH	12 h	S.E.	
56275	NEK200NM30SE65	200	180 min	Ni-MH	12 h	S.E.	
56276	NEK250NM10SE65	250	60 min	Ni-MH	12 h	S.E.	
56277	NEK250NM20SE65	250	120 min	Ni-MH	12 h	S.E.	
56278	NEK250NM25SE65	250	150 min	Ni-MH	12 h	S.E.	
56279	NEK300NM10SE65	300	60 min	Ni-MH	12 h	S.E.	
56280	NEK300NM20SE65	300	120 min	Ni-MH	12 h	S.E.	

NICE EKO - STANDARD S.E./S.A. IP65							
CODICE	ARTICOLO	LUMEN S.E.	LUMEN S.A.	AUTONOMIA	BATTERIA	TEMPO DI RICARICA	MODO
56281	NEK75NM10SESA65	75	75	60 min	Ni-MH	12 h	S.E./S.A.
56282	NEK75NM20SESA65	75	75	120 min	Ni-MH	12 h	S.E./S.A.
56283	NEK75NM30SESA65	75	75	180 min	Ni-MH	12 h	S.E./S.A.
56284	NEK90NM10SESA65	90	90	60 min	Ni-MH	12 h	S.E./S.A.
56285	NEK90NM20SESA65	90	90	120 min	Ni-MH	12 h	S.E./S.A.
56286	NEK90NM30SESA65	90	90	180 min	Ni-MH	12 h	S.E./S.A.
56287	NEK120NM10SESA65	120	120	60 min	Ni-MH	12 h	S.E./S.A.
56288	NEK120NM20SESA65	120	120	120 min	Ni-MH	12 h	S.E./S.A.
56289	NEK120NM30SESA65	120	120	180 min	Ni-MH	12 h	S.E./S.A.

56290	NEK150NM10SESA65	150	150	60 min	Ni-MH	12 h	S.E./S.A.
56291	NEK150NM20SESA65	150	150	120 min	Ni-MH	12 h	S.E./S.A.
56292	NEK150NM30SESA65	150	150	180 min	Ni-MH	12 h	S.E./S.A.
56293	NEK200NM10SESA65	200	170	60 min	Ni-MH	12 h	S.E./S.A.
56294	NEK200NM20SESA65	200	170	120 min	Ni-MH	12 h	S.E./S.A.
56295	NEK200NM30SESA65	200	170	180 min	Ni-MH	12 h	S.E./S.A.
56296	NEK250NM10SESA65	250	170	60 min	Ni-MH	12 h	S.E./S.A.
56297	NEK250NM20SESA65	250	170	120 min	Ni-MH	12 h	S.E./S.A.
56298	NEK250NM25SESA65	250	170	150 min	Ni-MH	12 h	S.E./S.A.
56299	NEK300NM10SESA65	300	170	60 min	Ni-MH	12 h	S.E./S.A.
56300	NEK300NM20SESA65	300	170	120 min	Ni-MH	12 h	S.E./S.A.