

REPLAY INOX



IDEALE PER INSTALLAZIONI IN AMBIENTI:

- NAVALI
- CHIMICI
- CORROSIVI
- ALIMENTARI

CARATTERISTICHE PRINCIPALI:



Corpo in acciaio INOX
AISI 316



Ampia gamma
da 150 a 1200 lumen



Grado di protezione
IP65

REPLAYINOX

Fabbricazione elettronica italiana al 100%
100% Italian electronics manufacturing

Alimentazione 230Vca-50Hz
230Vca-50Hz input Power

Grado di protezione IP65
IP44 or IP65 protection degree

Grado di resistenza agli urti IK10
IK08 shock resistance degree

Materiale corpo acciaio INOX AISI 316
Body material in AISI 316 stainless steel

Materiale diffusore in vetro (disponibile optional diffusore in policarbonato)
Reflector material in glass (optional polycarbonate diffuser available)

Temperatura operativa 0°C / +40°C
0°C / +40°C working temperature

Tipo di funzionamento S.E. o S.E./S.A.
NOT PERMANENT or PERMANENT functioning

Autonomia 90 o 180 minuti
90 or 180 minutes autonomy

Tempo di ricarica 12 ore
12 hours recharging time

Montaggio a parete
Wall mounting

Batteria Ni-MH ricaricabile, garantita 24 mesi
Rechargeable Ni-MH battery, 24 months warranty

Ricarica della batteria a corrente costante
Battery recharging at constant rated current

Protezione della batteria a scarica completa
Battery protection at full discharging

LED verde spia presenza rete
Green LED power ON

Fonte luminosa LED Alta efficienza
High efficiency LED Light source

Gamma flusso luminoso nominale da 150 a 1200 Lumen
Luminous flux range from 150 to 1200 Lumen

Resa cromatica (CRI) 80
80 colour rendering index

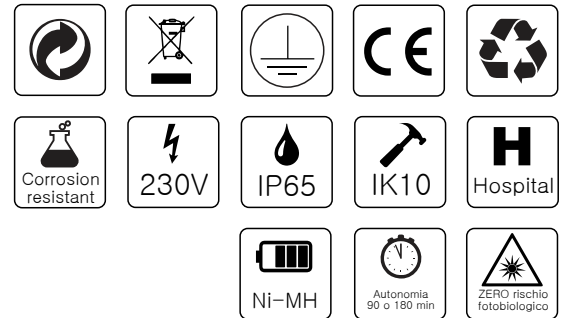
Temperatura colore 5000K
5000K colour temperature

Zero rischio fotobiologico secondo EN62471
Photobiological no-risk according to EN62471

Garanzia sulla fonte luminosa LED di 10 anni
10 years warranty on LED light source

Conforme alle normative vigenti:
Complies with current Standards:

- EN 61547 • EN 1838 • EN 60598-2-22 • EN 62471 • EN 55015, Classe B
- EN 60598-1 • EN 61347-2-7 • EN 62034 (Autotesting Version)



Dimensioni
Dimension

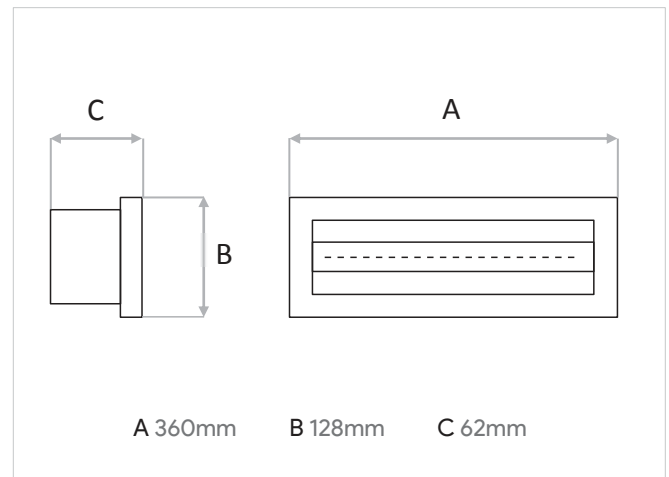
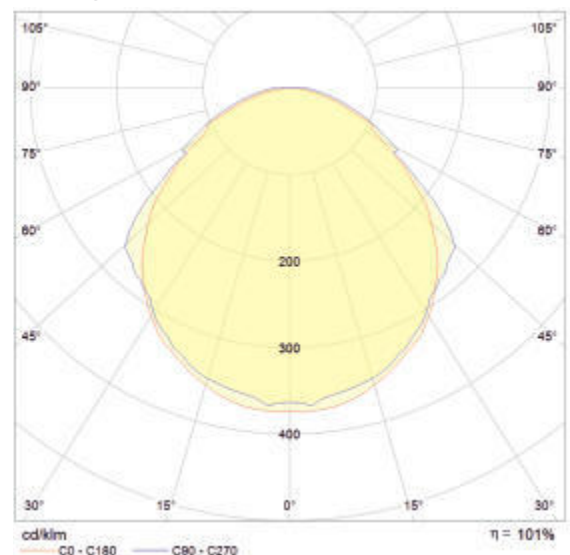


Diagramma polare
Polar diagram



REPLAY INOX - STANDARD S.E. IP65							
CODICE	ARTICOLO	LUMEN		AUTONOMIA	BATTERIA	TEMPO DI RICARICA	MODO
08375	RIX150NM15SE65	150		90 min	Ni-Mh	12 h	S.E.
08376	RIX150NM30SE65	150		180 min	Ni-Mh	12 h	S.E.
08377	RIX200NM15SE65	200		90 min	Ni-Mh	12 h	S.E.
08378	RIX200NM30SE65	200		180 min	Ni-Mh	12 h	S.E.
08379	RIX250NM15SE65	250		90 min	Ni-Mh	12 h	S.E.
08380	RIX250NM30SE65	250		180 min	Ni-Mh	12 h	S.E.
08381	RIX400NM15SE65	400		90 min	Ni-Mh	12 h	S.E.
08382	RIX400NM30SE65	400		180 min	Ni-Mh	12 h	S.E.
08839	RIX600NM15SE65	600		90 min	Ni-Mh	12 h	S.E.
08840	RIX600NM30SE65	600		180 min	Ni-Mh	12 h	S.E.
08841	RIX900NM15SE65	900		90 min	Ni-Mh	12 h	S.E.
08842	RIX900NM30SE65	900		180 min	Ni-Mh	12 h	S.E.
09990	RIX1200NM15SE65	1200		90 min	Ni-Mh	12 h	S.E.
09991	RIX1200NM30SE65	1200		180 min	Ni-Mh	12 h	S.E.

REPLAY INOX - STANDARD S.E./S.A. IP65							
CODICE	ARTICOLO	LUMEN S.E.	LUMEN S.A.	AUTONOMIA	BATTERIA	TEMPO DI RICARICA	MODO
08383	RIX150NM15SESA65	150	150	90 min	Ni-Mh	12 h	S.E./S.A.
08384	RIX150NM30SESA65	150	150	180 min	Ni-Mh	12 h	S.E./S.A.
08385	RIX200NM15SESA65	200	200	90 min	Ni-Mh	12 h	S.E./S.A.
08386	RIX200NM30SESA65	200	200	180 min	Ni-Mh	12 h	S.E./S.A.
08387	RIX250NM15SESA65	250	250	90 min	Ni-Mh	12 h	S.E./S.A.
08388	RIX250NM30SESA65	250	250	180 min	Ni-Mh	12 h	S.E./S.A.
08389	RIX400NM15SESA65	400	400	90 min	Ni-Mh	12 h	S.E./S.A.
08390	RIX400NM30SESA65	400	400	180 min	Ni-Mh	12 h	S.E./S.A.
08843	RIX600NM15SESA65	600	600	90 min	Ni-Mh	12 h	S.E./S.A.
08844	RIX600NM30SESA65	600	600	180 min	Ni-Mh	12 h	S.E./S.A.
08845	RIX900NM15SESA65	900	900	90 min	Ni-Mh	12 h	S.E./S.A.
08846	RIX900NM30SESA65	900	900	180 min	Ni-Mh	12 h	S.E./S.A.
09992	RIX1200NM15SESA65	1200	1000	90 min	Ni-Mh	12 h	S.E./S.A.
09993	RIX1200NM30SESA65	1200	1000	180 min	Ni-Mh	12 h	S.E./S.A.

REPLAY INOX - AUTOTESTING S.E. IP65							
CODICE	ARTICOLO	LUMEN S.E.	LUMEN S.A.	AUTONOMIA	BATTERIA	TEMPO DI RICARICA	MODO
08391	RIX150NM15SE65TS	150	150	90 min	Ni-Mh	12 h	S.E.
08392	RIX150NM30SE65TS	150	150	180 min	Ni-Mh	12 h	S.E.
08393	RIX200NM15SE65TS	200	200	90 min	Ni-Mh	12 h	S.E.
08394	RIX200NM30SE65TS	200	200	180 min	Ni-Mh	12 h	S.E.
08395	RIX250NM15SE65TS	250	250	90 min	Ni-Mh	12 h	S.E.
08396	RIX250NM30SE65TS	250	250	180 min	Ni-Mh	12 h	S.E.
08397	RIX400NM15SE65TS	400	400	90 min	Ni-Mh	12 h	S.E.
08398	RIX400NM30SE65TS	400	400	180 min	Ni-Mh	12 h	S.E.
10221	RIX600NM15SE65TS	600	600	90 min	Ni-Mh	12 h	S.E.
10222	RIX600NM30SE65TS	600	600	180 min	Ni-Mh	12 h	S.E.
10223	RIX900NM15SE65TS	900	900	90 min	Ni-Mh	12 h	S.E.
10224	RIX900NM30SE65TS	900	900	180 min	Ni-Mh	12 h	S.E.
10225	RIX1200NM15SE65TS	1200	1000	90 min	Ni-Mh	12 h	S.E.
10226	RIX1200NM30SE65TS	1200	1000	180 min	Ni-Mh	12 h	S.E.

REPLAY INOX - AUTOTESTING S.E./S.A. IP65							
CODICE	ARTICOLO	LUMEN S.E.	LUMEN S.A.	AUTONOMIA	BATTERIA	TEMPO DI RICARICA	MODO
08399	RIX150NM15SESA65TS	150	150	90 min	Ni-Mh	12 h	S.E./S.A.
08400	RIX150NM30SESA65TS	150	150	180 min	Ni-Mh	12 h	S.E./S.A.
08401	RIX200NM15SESA65TS	200	200	90 min	Ni-Mh	12 h	S.E./S.A.
08402	RIX200NM30SESA65TS	200	200	180 min	Ni-Mh	12 h	S.E./S.A.
08403	RIX250NM15SESA65TS	250	250	90 min	Ni-Mh	12 h	S.E./S.A.
08404	RIX250NM30SESA65TS	250	250	180 min	Ni-Mh	12 h	S.E./S.A.
08405	RIX400NM15SESA65TS	400	400	90 min	Ni-Mh	12 h	S.E./S.A.
08406	RIX400NM30SESA65TS	400	400	180 min	Ni-Mh	12 h	S.E./S.A.
10231	RIX600NM15SESA65TS	600	600	90 min	Ni-Mh	12 h	S.E./S.A.
10232	RIX600NM30SESA65TS	600	600	180 min	Ni-Mh	12 h	S.E./S.A.
10233	RIX900NM15SESA65TS	900	900	90 min	Ni-Mh	12 h	S.E./S.A.
10234	RIX900NM30SESA65TS	900	900	180 min	Ni-Mh	12 h	S.E./S.A.
10235	RIX1200NM15SESA65TS	1200	1000	90 min	Ni-Mh	12 h	S.E./S.A.
10236	RIX1200NM30SESA65TS	1200	1000	180 min	Ni-Mh	12 h	S.E./S.A.

REPLAY INOX - CENTRAL SYSTEM S.E. IP65							
CODICE	ARTICOLO	LUMEN S.E.	LUMEN S.A.	AUTONOMIA	BATTERIA	TEMPO DI RICARICA	MODO
08407	RIX150NM15SE65CS	150	150	90 min	Ni-Mh	12 h	S.E.
08408	RIX150NM30SE65CS	150	150	180 min	Ni-Mh	12 h	S.E.
08409	RIX200NM15SE65CS	200	200	90 min	Ni-Mh	12 h	S.E.
08410	RIX200NM30SE65CS	200	200	180 min	Ni-Mh	12 h	S.E.
08411	RIX250NM15SE65CS	250	250	90 min	Ni-Mh	12 h	S.E.
08412	RIX250NM30SE65CS	250	250	180 min	Ni-Mh	12 h	S.E.
08413	RIX400NM15SE65CS	400	400	90 min	Ni-Mh	12 h	S.E.
08414	RIX400NM30SE65CS	400	400	180 min	Ni-Mh	12 h	S.E.
10201	RIX600NM15SE65CS	600	600	90 min	Ni-Mh	12 h	S.E.
10202	RIX600NM30SE65CS	600	600	180 min	Ni-Mh	12 h	S.E.
10203	RIX900NM15SE65CS	900	900	90 min	Ni-Mh	12 h	S.E.
10204	RIX900NM30SE65CS	900	900	180 min	Ni-Mh	12 h	S.E.
10205	RIX1200NM15SE65CS	1200	1000	90 min	Ni-Mh	12 h	S.E.
10206	RIX1200NM30SE65CS	1200	1000	180 min	Ni-Mh	12 h	S.E.

REPLAY INOX - CENTRAL SYSTEM S.E./S.A. IP65							
CODICE	ARTICOLO	LUMEN S.E.	LUMEN S.A.	AUTONOMIA	BATTERIA	TEMPO DI RICARICA	MODO
08415	RIX150NM15SESA65CS	150	150	90 min	Ni-Mh	12 h	S.E./S.A.
08416	RIX150NM30SESA65CS	150	150	180 min	Ni-Mh	12 h	S.E./S.A.
08417	RIX200NM15SESA65CS	200	200	90 min	Ni-Mh	12 h	S.E./S.A.
08418	RIX200NM30SESA65CS	200	200	180 min	Ni-Mh	12 h	S.E./S.A.
08419	RIX250NM15SESA65CS	250	250	90 min	Ni-Mh	12 h	S.E./S.A.
08420	RIX250NM30SESA65CS	250	250	180 min	Ni-Mh	12 h	S.E./S.A.
08421	RIX400NM15SESA65CS	400	400	90 min	Ni-Mh	12 h	S.E./S.A.
08422	RIX400NM30SESA65CS	400	400	180 min	Ni-Mh	12 h	S.E./S.A.
10211	RIX600NM15SESA65CS	600	600	90 min	Ni-Mh	12 h	S.E./S.A.
10212	RIX600NM30SESA65CS	600	600	180 min	Ni-Mh	12 h	S.E./S.A.
10213	RIX900NM15SESA65CS	900	900	90 min	Ni-Mh	12 h	S.E./S.A.
10214	RIX900NM30SESA65CS	900	900	180 min	Ni-Mh	12 h	S.E./S.A.
10215	RIX1200NM15SESA65CS	1200	1000	90 min	Ni-Mh	12 h	S.E./S.A.
10216	RIX1200NM30SESA65CS	1200	1000	180 min	Ni-Mh	12 h	S.E./S.A.

REPLAY INOX - S.O.S. GROUND SYSTEM IP65							
CODICE	ARTICOLO	LUMEN		ALIMENTAZIONE			
14300	RIX-SOS300-230-65	300		230V			
14301	RIX-SOS500-230-65	500		230V			
14302	RIX-SOS600-230-65	600		230V			
14303	RIX-SOS800-230-65	800		230V			
14304	RIX-SOS900-230-65	900		230V			
14305	RIX-SOS1200-230-65	1200		230V			

REPLAY INOX - S.O.S. SYSTEM 24V IP65							
CODICE	ARTICOLO	LUMEN		ALIMENTAZIONE			
16931	RIX-SOS300-24-65	300		24V			
16932	RIX-SOS600-24-65	600		24V			
16933	RIX-SOS1000-24-65	1000		24V			

REPLAY INOX - S.O.S. SYSTEM 48V IP65							
CODICE	ARTICOLO	LUMEN		ALIMENTAZIONE			
16941	RIX-SOS300-48-65	300		48V			
16942	RIX-SOS600-48-65	600		48V			
16943	RIX-SOS1000-48-65	1000		48V			

REPLAY INOX - SOLOLUCE 12-24V IP65							
CODICE	ARTICOLO	LUMEN		ALIMENTAZIONE			
18750	RIX-SL300-12-24-65	300		12-24V			
18751	RIX-SL600-12-24-65	600		12-24V			
18752	RIX-SL1000-12-24-65	1000		12-24V			

REPLAY INOX - SOLOLUCE 230V IP65							
CODICE	ARTICOLO	LUMEN		ALIMENTAZIONE			
18760	RIX-SL300-230-65	300		230V			
18761	RIX-SL600-230-65	600		230V			
18762	RIX-SL1000-230-65	1000		230V			