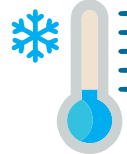


REPLAY IGLOO -20°C



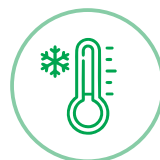
0°C
↓
-20°C



IDEALE PER INSTALLAZIONI IN AMBIENTI COME:

- CELLE FRIGO
- GROTTI / CUNICOLI
- ZONE NEVE
- MAGAZZINI

CARATTERISTICHE PRINCIPALI:



Temperatura di funzionamento 0°/-20°C



Ampia gamma da 150 a 1200 lumen



Grado di protezione IP65

REPLAYIGLOO -20

Fabbricazione elettronica italiana al 100%
100% Italian electronics manufacturing

Alimentazione 230Vca-50Hz
230Vca-50Hz input Power

Grado di protezione IP65
IP65 protection degree

Grado di resistenza agli urti IK08
IK08 shock resistance degree

Materiale corpo in Bayblend® (PC+ABS) autoestinguente V0
Self-extinguishing (V0) Bayblend® (PC+ABS) body material

Materiale diffusore in policarbonato cristallo autoestinguente V0
Self-extinguishing (V0) crystal polycarbonate reflector material

Temperatura operativa -20°C / 0°C
-20°C / 0°C working temperature

Glow wire test 960°C (2.0mm)
960°C (2.0mm) glow wire test

Tipo di funzionamento S.E. o S.E./S.A.
NOT PERMANENT or PERMANENT functioning

Autonomia 90 o 180 minuti
90 or 180 minutes autonomy

Tempo di ricarica 12 ore
12 hours recharging time

Montaggio a parete o ad incasso tramite WALLBOX 01 (cod.07742)
Wall mounting or recessed wall mounting by WALLBOX 01 (cod.07742)

Batteria Ni-MH ricaricabile, garantita 24 mesi
Rechargeable Ni-MH battery, 24 months warranty

Ricarica della batteria a corrente costante
Battery recharging at constant rated current

Protezione della batteria a scarica completa
Battery protection at full discharging

LED verde spia presenza rete
Green LED power ON

Fonte luminosa LED Alta efficienza
High efficiency LED Light source

Gamma flusso luminoso nominale da 150 a 1200 Lumen
Luminous flux range from 150 to 1200 Lumen

Resa cromatica (CRI) 80
80 colour rendering index

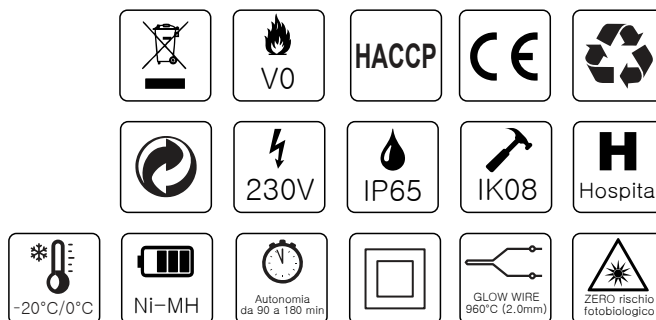
Temperatura colore 5000K
5000K colour temperature

Zero rischio fotobiologico secondo EN62471
Photobiological no-risk according to EN62471

Garanzia sulla fonte luminosa LED di 10 anni
10 years warranty on LED light source

Conforme alle normative vigenti:
Complies with current Standards:

- EN 61547 • EN 1838 • EN 60598-2-22 • EN 62471 • EN 55015, Classe B
- EN 60598-1 • EN 61347-2-7 • EN 62034 (Autotesting Version)



Dimensioni

Dimension

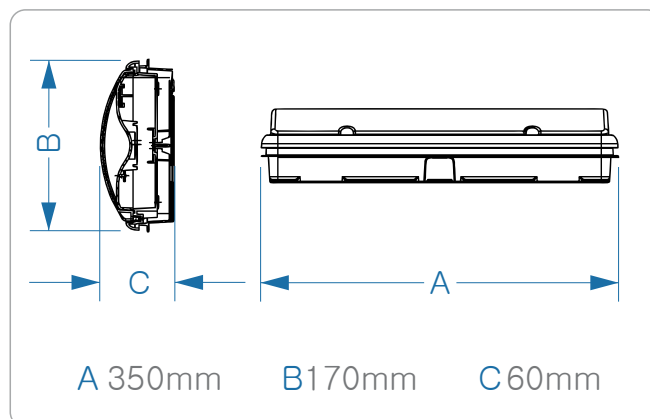
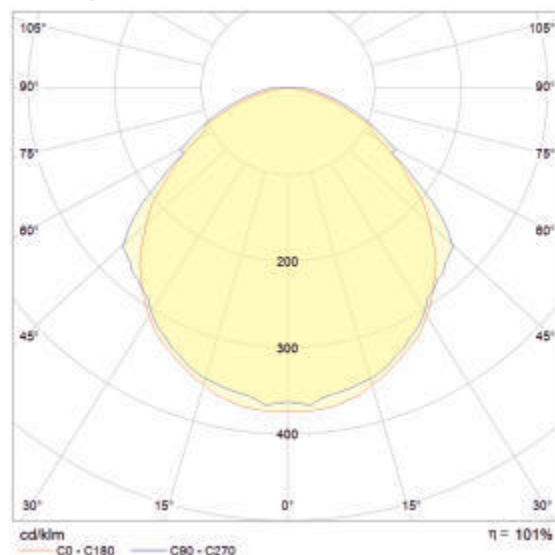


Diagramma polare

Polar diagram



REPLAY IGLOO -20° - STANDARD S.E. IP65

CODICE	ARTICOLO	LUMEN S.E.		AUTONOMIA	BATTERIA	TEMPO DI RICARICA	MODO
08327	RIG150NM15SE65	150		90 min	Ni-Mh	12 h	S.E.
08328	RIG150NM30SE65	150		180 min	Ni-Mh	12 h	S.E.
08329	RIG200NM15SE65	200		90 min	Ni-Mh	12 h	S.E.
08330	RIG200NM30SE65	200		180 min	Ni-Mh	12 h	S.E.
08331	RIG250NM15SE65	250		90 min	Ni-Mh	12 h	S.E.
08332	RIG250NM30SE65	250		180 min	Ni-Mh	12 h	S.E.
08333	RIG400NM15SE65	400		90 min	Ni-Mh	12 h	S.E.
08334	RIG400NM30SE65	400		180 min	Ni-Mh	12 h	S.E.
08831	RIG600NM15SE65	600		90 min	Ni-Mh	12 h	S.E.
08832	RIG600NM30SE65	600		180 min	Ni-Mh	12 h	S.E.
08833	RIG900NM15SE65	900		90 min	Ni-Mh	12 h	S.E.
08834	RIG900NM20SE65	900		120 min	Ni-Mh	12 h	S.E.
61560	RIG1200NM15SE65	1200		90 min	Ni-Mh	12 h	S.E.
61561	RIG1200NM20SE65	1200		120 min	Ni-Mh	12 h	S.E.

REPLAY IGLOO -20° - STANDARD S.E./S.A. IP65

CODICE	ARTICOLO	LUMEN S.E.	LUMEN S.A.	AUTONOMIA	BATTERIA	TEMPO DI RICARICA	MODO
08335	RIG150NM15SESA65	150	150	90 min	Ni-Mh	12 h	S.E./S.A.
08336	RIG150NM30SESA65	150	150	180 min	Ni-Mh	12 h	S.E./S.A.
08337	RIG200NM15SESA65	200	200	90 min	Ni-Mh	12 h	S.E./S.A.
08338	RIG200NM30SESA65	200	200	180 min	Ni-Mh	12 h	S.E./S.A.
08339	RIG250NM15SESA65	250	250	90 min	Ni-Mh	12 h	S.E./S.A.
08340	RIG250NM30SESA65	250	250	180 min	Ni-Mh	12 h	S.E./S.A.
08341	RIG400NM15SESA65	400	400	90 min	Ni-Mh	12 h	S.E./S.A.
08342	RIG400NM30SESA65	400	400	180 min	Ni-Mh	12 h	S.E./S.A.
08835	RIG600NM15SESA65	600	600	90 min	Ni-Mh	12 h	S.E./S.A.
08836	RIG600NM30SESA65	600	600	180 min	Ni-Mh	12 h	S.E./S.A.
08837	RIG900NM15SESA65	900	900	90 min	Ni-Mh	12 h	S.E./S.A.
08838	RIG900NM20SESA65	900	900	120 min	Ni-Mh	12 h	S.E./S.A.
61562	RIG1200NM15SESA65	1200	1000	90 min	Ni-Mh	12 h	S.E./S.A.
61563	RIG1200NM20SESA65	1200	1000	120 min	Ni-Mh	12 h	S.E./S.A.

REPLAY IGLOO -20° - AUTOTESTING S.E. IP65

CODICE	ARTICOLO	LUMEN S.E.		AUTONOMIA	BATTERIA	TEMPO DI RICARICA	MODO
08343	RIG150NM15SE65TS	150		90 min	Ni-Mh	12 h	S.E.
08344	RIG150NM30SE65TS	150		180 min	Ni-Mh	12 h	S.E.
08345	RIG200NM15SE65TS	200		90 min	Ni-Mh	12 h	S.E.
08346	RIG200NM30SE65TS	200		180 min	Ni-Mh	12 h	S.E.
08347	RIG250NM15SE65TS	250		90 min	Ni-Mh	12 h	S.E.
08348	RIG250NM30SE65TS	250		180 min	Ni-Mh	12 h	S.E.
08349	RIG400NM15SE65TS	400		90 min	Ni-Mh	12 h	S.E.
08350	RIG400NM30SE65TS	400		180 min	Ni-Mh	12 h	S.E.
57091	RIG600NM15SE65TS	600		90 min	Ni-Mh	12 h	S.E.
57092	RIG600NM30SE65TS	600		180 min	Ni-Mh	12 h	S.E.
57093	RIG900NM15SE65TS	900		90 min	Ni-Mh	12 h	S.E.
57094	RIG900NM20SE65TS	900		120 min	Ni-Mh	12 h	S.E.
61564	RIG1200NM15SE65TS	1200		90 min	Ni-Mh	12 h	S.E.
61565	RIG1200NM20SE65TS	1200		120 min	Ni-Mh	12 h	S.E.

REPLAY IGLOO -20° - AUTOTESTING S.E./S.A. IP65

CODICE	ARTICOLO	LUMEN S.E.	LUMEN S.A.	AUTONOMIA	BATTERIA	TEMPO DI RICARICA	MODO
08351	RIG150NM15SESA65TS	150	150	90 min	Ni-Mh	12 h	S.E./S.A.
08352	RIG150NM30SESA65TS	150	150	180 min	Ni-Mh	12 h	S.E./S.A.
08353	RIG200NM15SESA65TS	200	200	90 min	Ni-Mh	12 h	S.E./S.A.
08354	RIG200NM30SESA65TS	200	200	180 min	Ni-Mh	12 h	S.E./S.A.
08355	RIG250NM15SESA65TS	250	250	90 min	Ni-Mh	12 h	S.E./S.A.
08356	RIG250NM30SESA65TS	250	250	180 min	Ni-Mh	12 h	S.E./S.A.
08357	RIG400NM15SESA65TS	400	400	90 min	Ni-Mh	12 h	S.E./S.A.
08358	RIG400NM30SESA65TS	400	400	180 min	Ni-Mh	12 h	S.E./S.A.
57095	RIG600NM15SESA65TS	600	600	90 min	Ni-Mh	12 h	S.E./S.A.
57096	RIG600NM30SESA65TS	600	600	180 min	Ni-Mh	12 h	S.E./S.A.
57097	RIG900NM15SESA65TS	900	900	90 min	Ni-Mh	12 h	S.E./S.A.
57098	RIG900NM20SESA65TS	900	900	120 min	Ni-Mh	12 h	S.E./S.A.
61566	RIG1200NM15SESA65TS	1200	1000	90 min	Ni-Mh	12 h	S.E./S.A.
61567	RIG1200NM20SESA65TS	1200	1000	120 min	Ni-Mh	12 h	S.E./S.A.

REPLAY IGLOO -20° - CENTRAL SYSTEM S.E. IP65

CODICE	ARTICOLO	LUMEN S.E.		AUTONOMIA	BATTERIA	TEMPO DI RICARICA	MODO
08359	RIG150NM15SE65CS	150		90 min	Ni-Mh	12 h	S.E.
08360	RIG150NM30SE65CS	150		180 min	Ni-Mh	12 h	S.E.
08361	RIG200NM15SE65CS	200		90 min	Ni-Mh	12 h	S.E.
08362	RIG200NM30SE65CS	200		180 min	Ni-Mh	12 h	S.E.
08363	RIG250NM15SE65CS	250		90 min	Ni-Mh	12 h	S.E.
08364	RIG250NM30SE65CS	250		180 min	Ni-Mh	12 h	S.E.
08365	RIG400NM15SE65CS	400		90 min	Ni-Mh	12 h	S.E.
08366	RIG400NM30SE65CS	400		180 min	Ni-Mh	12 h	S.E.
57099	RIG600NM15SE65CS	600		90 min	Ni-Mh	12 h	S.E.
57100	RIG600NM30SE65CS	600		180 min	Ni-Mh	12 h	S.E.
57101	RIG900NM15SE65CS	900		90 min	Ni-Mh	12 h	S.E.
57102	RIG900NM20SE65CS	900		120 min	Ni-Mh	12 h	S.E.
61568	RIG1200NM15SE65CS	1200		90 min	Ni-Mh	12 h	S.E.
61569	RIG1200NM20SE65CS	1200		120 min	Ni-Mh	12 h	S.E.

REPLAY IGLOO -20° - CENTRAL SYSTEM S.E./S.A. IP65							
CODICE	ARTICOLO	LUMEN S.E.	LUMEN S.A.	AUTONOMIA	BATTERIA	TEMPO DI RICARICA	MODO
08367	RIG150NM15SESA65CS	150	150	90 min	Ni-Mh	12 h	S.E./S.A.
08368	RIG150NM30SESA65CS	150	150	180 min	Ni-Mh	12 h	S.E./S.A.
08369	RIG200NM15SESA65CS	200	200	90 min	Ni-Mh	12 h	S.E./S.A.
08370	RIG200NM30SESA65CS	200	200	180 min	Ni-Mh	12 h	S.E./S.A.
08371	RIG250NM15SESA65CS	250	250	90 min	Ni-Mh	12 h	S.E./S.A.
08372	RIG250NM30SESA65CS	250	250	180 min	Ni-Mh	12 h	S.E./S.A.
08373	RIG400NM15SESA65CS	400	400	90 min	Ni-Mh	12 h	S.E./S.A.
08374	RIG400NM30SESA65CS	400	400	180 min	Ni-Mh	12 h	S.E./S.A.
57103	RIG600NM15SESA65CS	600	600	90 min	Ni-Mh	12 h	S.E./S.A.
57104	RIG600NM30SESA65CS	600	600	180 min	Ni-Mh	12 h	S.E./S.A.
57105	RIG900NM15SESA65CS	900	900	90 min	Ni-Mh	12 h	S.E./S.A.
57106	RIG900NM20SESA65CS	900	900	120 min	Ni-Mh	12 h	S.E./S.A.
61570	RIG1200NM15SESA65CS	1200	1000	90 min	Ni-Mh	12 h	S.E./S.A.
61571	RIG1200NM20SESA65CS	1200	1000	120 min	Ni-Mh	12 h	S.E./S.A.
REPLAY IGLOO -20° - S.O.S. GROUND SYSTEM IP65							
CODICE	ARTICOLO	LUMEN		ALIMENTAZIONE			
14500	RIG-20-SOS300-230-65	300		230V			
14501	RIG-20-SOS500-230-65	500		230V			
14502	RIG-20-SOS600-230-65	600		230V			
14503	RIG-20-SOS800-230-65	800		230V			
14504	RIG-20-SOS900-230-65	900		230V			
14505	RIG-20-SOS1200-230-65	1200		230V			
REPLAY IGLOO -20° - S.O.S. SYSTEM 24V IP65							
CODICE	ARTICOLO	LUMEN		ALIMENTAZIONE			
14521	RIG-20-SOS300-24-65	300		24V			
14522	RIG-20-SOS500-24-65	500		24V			
14523	RIG-20-SOS600-24-65	600		24V			
14524	RIG-20-SOS800-24-65	800		24V			
14525	RIG-20-SOS900-24-65	900		24V			
14526	RIG-20-SOS1200-24-65	1200		24V			
REPLAY IGLOO -20° - S.O.S. SYSTEM 48V IP65							
CODICE	ARTICOLO	LUMEN		ALIMENTAZIONE			
14531	RIG-20-SOS300-48-65	300		48V			
14532	RIG-20-SOS500-48-65	500		48V			
14533	RIG-20-SOS600-48-65	600		48V			
14534	RIG-20-SOS800-48-65	800		48V			
14535	RIG-20-SOS900-48-65	900		48V			
14536	RIG-20-SOS1200-48-65	1200		48V			
REPLAY IGLOO -20° - SOLOLUCE 12-24V IP65							
CODICE	ARTICOLO	LUMEN		ALIMENTAZIONE			
18690	RIG-20-SL300-12-24-65	300		12-24V			
18691	RIG-20-SL500-12-24-65	500		12-24V			
18692	RIG-20-SL600-12-24-65	600		12-24V			
18693	RIG-20-SL800-12-24-65	800		12-24V			
18694	RIG-20-SL900-12-24-65	900		12-24V			
18695	RIG-20-SL1200-12-24-65	1200		12-24V			
REPLAY IGLOO -20° - SOLOLUCE 230V IP65							
CODICE	ARTICOLO	LUMEN		ALIMENTAZIONE			
18700	RIG-20-SL300-230-65	300		230V			
18701	RIG-20-SL500-230-65	500		230V			
18702	RIG-20-SL600-230-65	600		230V			
18703	RIG-20-SL800-230-65	800		230V			
18704	RIG-20-SL900-230-65	900		230V			
18705	RIG-20-SL1200-230-65	1200		230V			